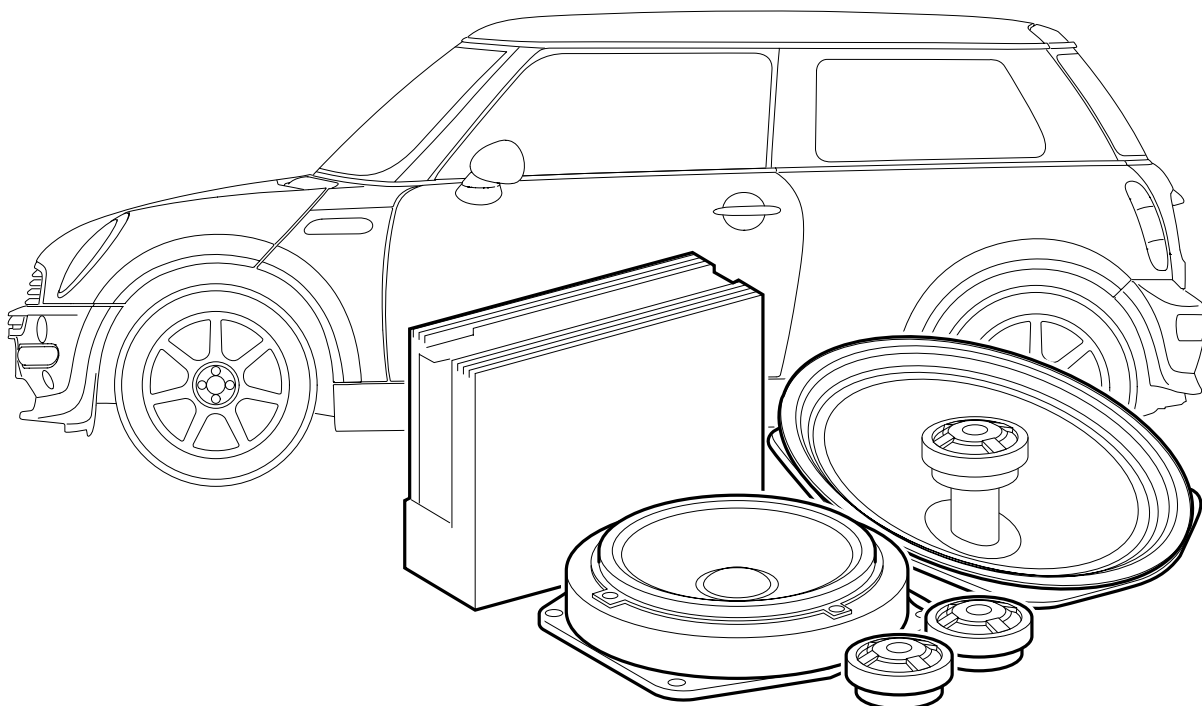




Parts and Accessories Installation Instructions



R50 0001 M

Installation kit, sound module

MINI (R50/R53) Left-hand drive (LHD) for "NG*" car radios

Not suitable for vehicles with on-board monitor radio

Not suitable for vehicles with SA 674 ("harman/kardon" HiFi system)

The installation time of approx. 2.5 hours can vary depending on the condition and equipment of the vehicle.

Retrofit/installation kit No. 82 83 0 140 180

* New Generation

Contents

Section	Page
Important Information	3
1. Preparation	4
2. Schematic installation and routing diagram	5
3. Connection overview, adapter lead and power cable	6
4. Installing and connecting adapter lead and power cable.	7
5. Installing amplifier	8
6. Installing tweeters and woofers/mid-range speakers at front	10
7. Installing rear coax speakers	11
8. Affixing stickers	12
9. Concluding jobs/encoding.	13
10. Initial use	13

Important Information

Read out the defect code memories before disconnecting the battery and on completion of assembly.

It is possible that the connections and/or pin assignments change during the course of further development. For this reason, the currently valid ETM (Electrical Troubleshooting Manual) must always be used for installation purposes.

Jumpers, double crimp connections or parallel connections will be required if the specified pin chambers are occupied.

Take care not to kink, bend or damage cables when installing in the vehicle as otherwise faults may occur that require extensive additional work to subsequently locate them. The costs incurred will not be reimbursed!

All wiring harnesses and lines are to be fitted and secured such that they are not bent, cannot sag, chafe or be pinched.

Tie back excessive length of wiring harnesses and lines and use cable straps to secure at suitable positions.

Ensure the wiring cannot snag.

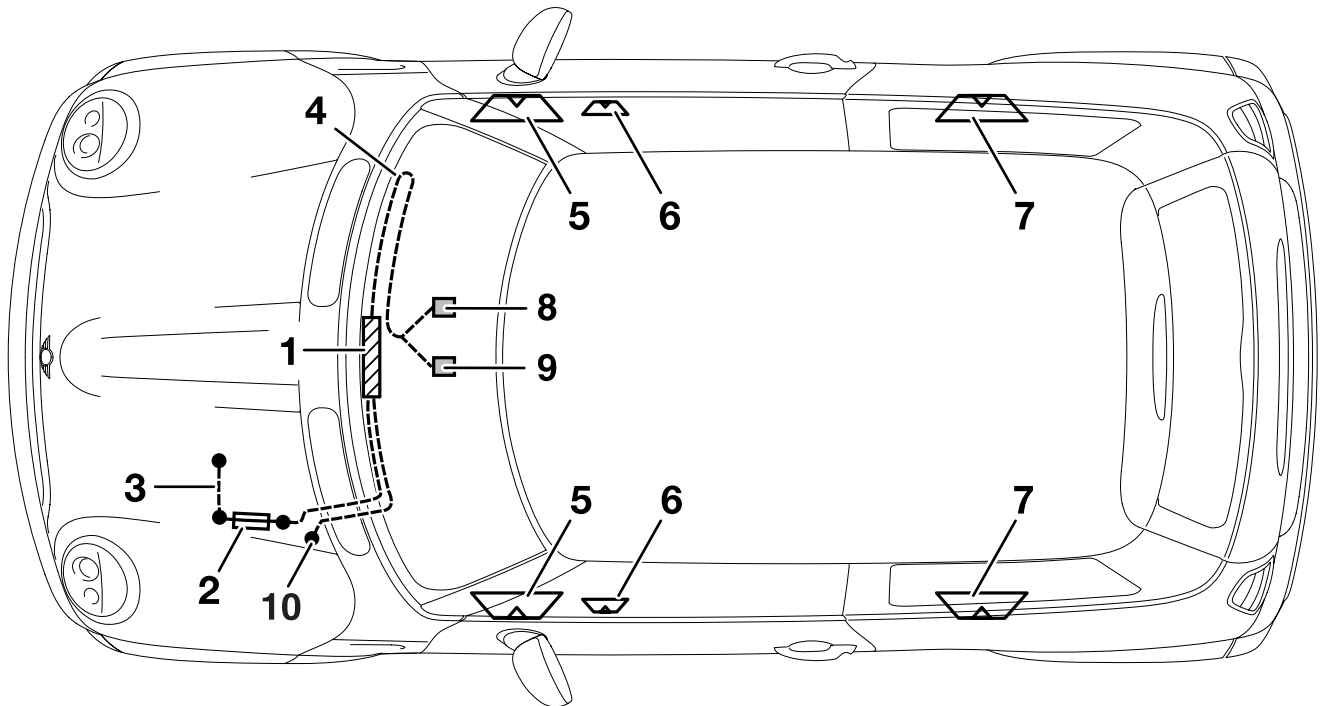
Item numbers refer only to the overviews or to the texts next to the corresponding figure.

Subject to technical modifications.

1. Preparation

Carry out quick test	
Disconnect negative terminal of battery	
The following components must be disassembled or removed beforehand:	
Battery with battery box	
Instrument cluster	
Radio	
Front left door trim panel	
Front right door trim panel	
Remove woofers/mid-range speakers in front doors (no longer required)	
Release rear left side trim panel in front area	
Release rear right side trim panel in front area	
Remove speakers in rear side sections (no longer required)	

2. Schematic installation and routing diagram

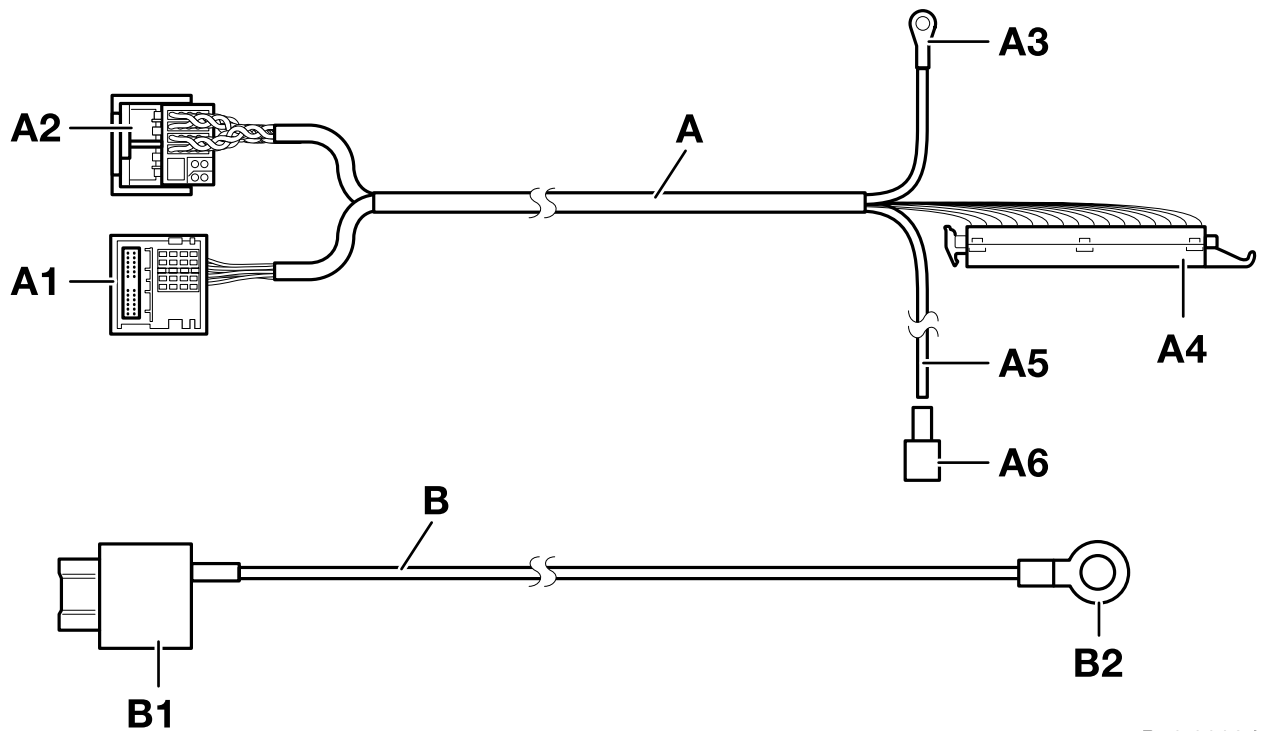


R50 0002 M

Key

- 1 Amplifier
- 2 Fuse (20 A)
- 3 Power cable with fuse holder at B+ (see B2 on Page 6)
- 4 Adapter lead
- 5 Woofer/mid-range speaker
- 6 Tweeter
- 7 Coax speaker
- 8 Car radio connector
- 9 Connector for standard wiring harness
- 10 Vehicle ground connection (see A3 on Page 6)

3. Connection overview, adapter leads and power cables

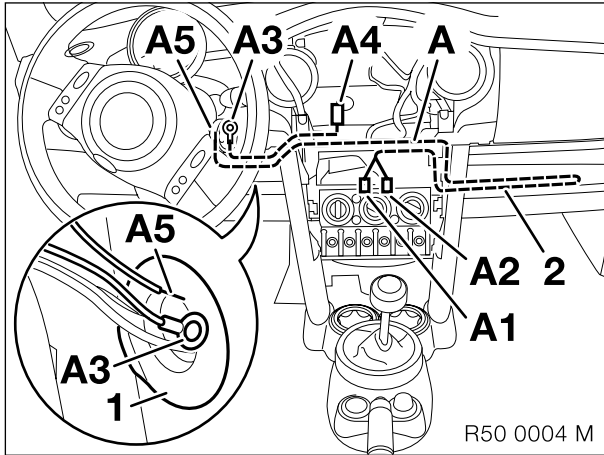


R50 0003 M

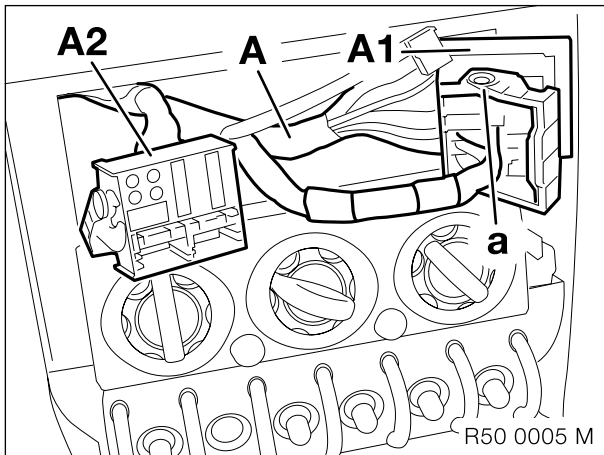
Item	Description	Signal	Wire colour/ cross section	Connection location in vehicle	Designation/ plug-in slot
A	Adapter lead	---	---	---	---
A1	16-pin pin housing	---	---	16-pin radio plug connector X18126 on vehicle wiring harness	X2*
A2	16-pin socket housing	---	---	radio in instrument panel	X18126
A3	Cable shoe 6 mm	Ground	brown/ 4 mm ²	ground terminal point, splashboard in engine compartment	---
A4	25-pin socket housing	---	---	amplifier	X1*
A5	Stranded wire	---	red/4 mm ²	cut to length, crimp on supplied blade terminal A6 and plug into fuse holder B1	---
A6	flat-pin terminal	---	---	crimp on branch A5	---
B	Power cable	---	---	---	---
B1	Fuse holder with fuse (20 A)	---	---	secure in battery box	---
B2	Cable shoe 6 mm	Terminal 30	red/4 mm ²	battery positive terminal	---

The X-designations marked with * apply to this overview only and do not refer to the general service documentation.

4. Installing and connecting adapter lead and power cable



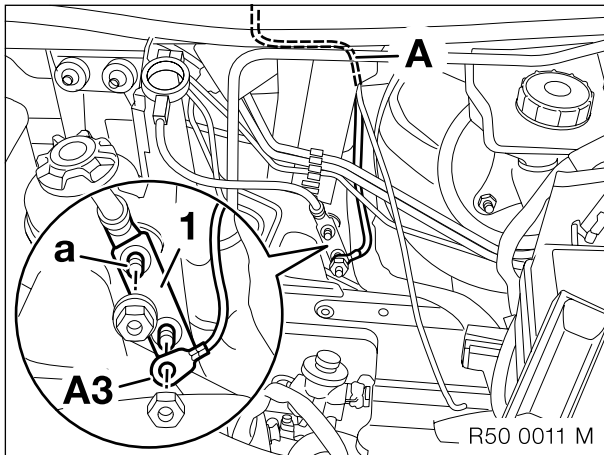
As illustrated, install adapter lead **A** as follows:
 Route branch **A1** and **A2** to installation location of radio.
 Route branch **A4** to place of installation of instrument cluster.
 Route branch **A3** and **A5** through rubber grommet (1) into engine compartment and use sealing compound to seal off rubber grommet (1) from engine side.
 Fit excess length of wiring harness (2) under instrument panel in passenger footwell and secure in a suitable position with a cable strap.



▶ Depending on vehicle equipment, the plug connectors for CD changer **X18805** and/or Navigation **X1532** must be changed to branch **A1**. ◀

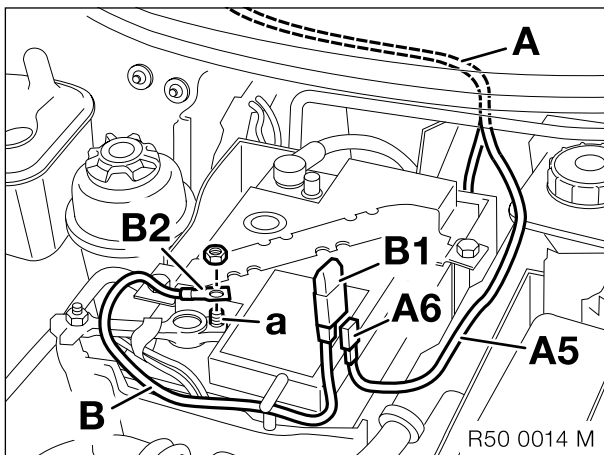
Connect black 16-pin radio plug connector **X18126** (a) to branch **A1**, black 16-pin pin housing of adapter lead **A**.

Connect branch **A2**, black 16-pin socket housing, of adapter lead **A** to the radio.



Route branch **A3**, brown wire, of adapter lead **A** to ground terminal point (a) in the engine compartment and connect by means of adapter element (1).

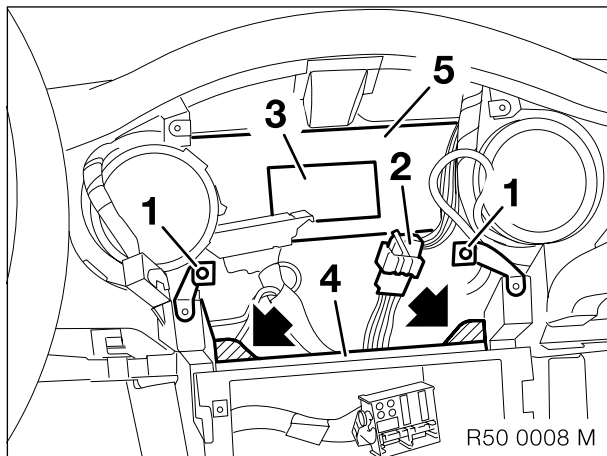
▶ Reinstall battery box and battery. ◀



Route branch **A5**, red wire, of adapter lead **A** to connection location and cut to length. Crimp flat-pin terminal **A6** onto branch **A5** and connect to fuse holder **B1** of power cable **B**.
 Use cable strap to fix fuse holder **B1** in a suitable position in the battery box.

Connect branch **B2**, red wire, of power cable **B** to positive terminal of battery (a).


5. Installing amplifier

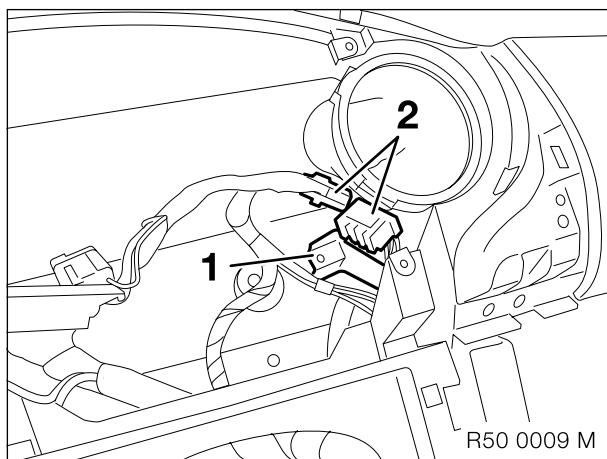


Unscrew Torx screws (1).

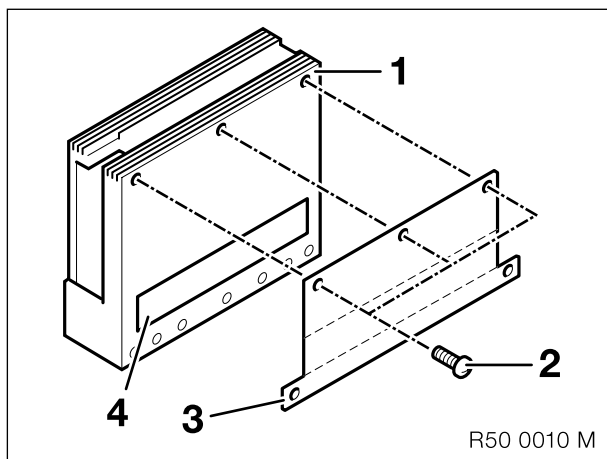
Remove connector (2), white 18-pin connector housing, together with retaining fixture from carrier (5).

Remove sticker (3) and clean adhesion point with spirits.

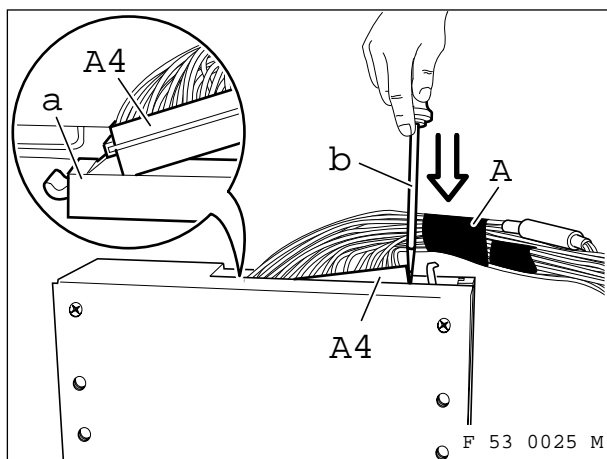
 Cut out mounting bracket for controls (4) in marked area (arrows)! ◀



Disconnect connector (2), white 18-pin connector housing, and route behind strut (1). Reconnect plug connection and use cable strap to secure connector (2) in a suitable position.

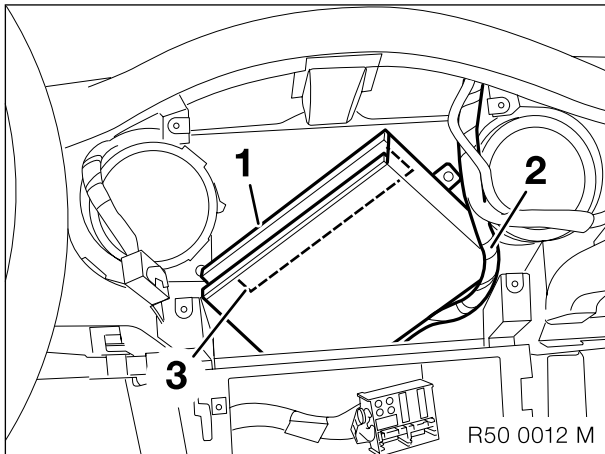


Firmly secure amplifier mounting bracket (3) with three fillister head self-tapping screws (2) 3.5 x 9.5 as illustrated on amplifier (1). Remove protective film from adhesive strip (4).



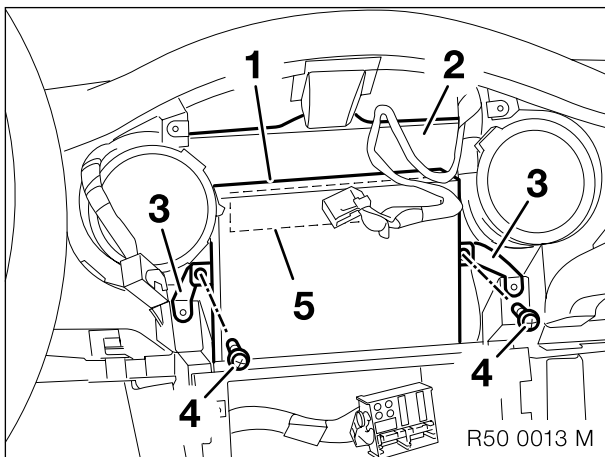
Attach branch **A4**, 25-pin socket housing, of adapter lead **A** to connector strip (a) and, using a large slotted screwdriver (b), press in the direction indicated by the arrow until it can be heard to engage in the amplifier housing.

5. Installing amplifier



▶ Do not soil adhesive surface of adhesive strip (3) when installing amplifier (1). ◀

Install amplifier (1) as illustrated, turn into horizontal position and push upward.
Route wiring harness (2) up to amplifier (1).

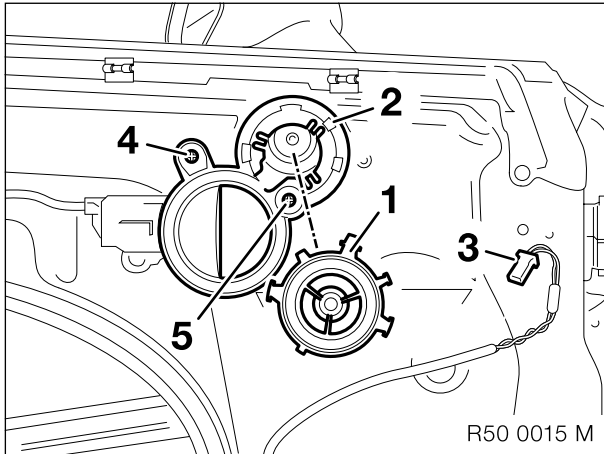


Firmly secure amplifier (1) and struts (3) with existing Torx screws (4) on carrier (2).

Press amplifier (1) with adhesive strip (5) onto carrier (2) and adhere in position.

▶ It must be possible to install and secure the instrument cluster free of stress. ◀

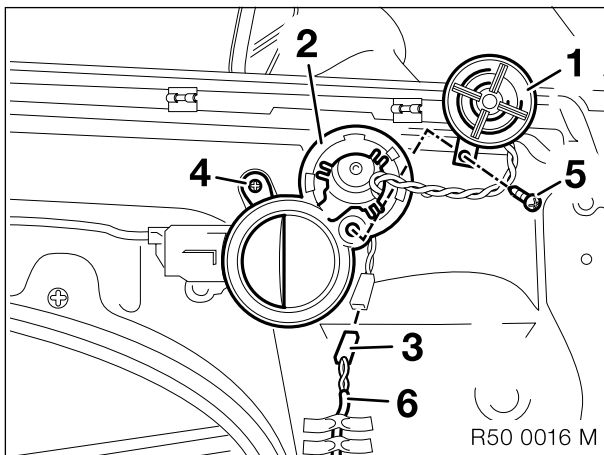
6. Installing tweeters and woofers/mid-range speakers at front



▶ The figures show the working steps on the left-hand side of the vehicle. The same procedure is to be followed analogously on the right-hand side of the vehicle. ◀

Unclip standard tweeter (1) from mounting bracket (2) and unplug connector (3) (standard tweeter is no longer required).

Remove screw (5) and release screw (4).

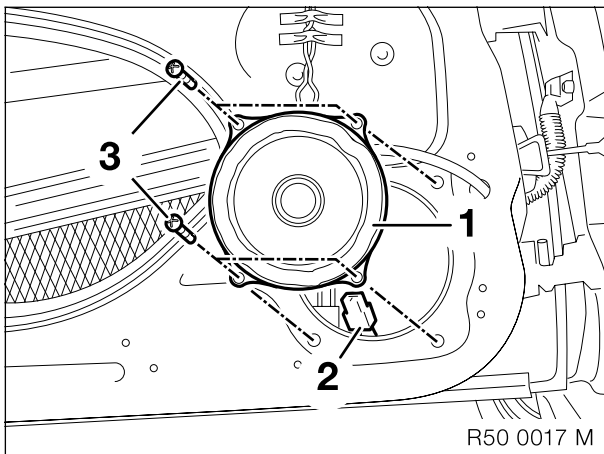


Fit tweeter (1) in mounting bracket (2) and firmly tighten with screw (5).

Connect plug connector (3) to tweeter (1).

Firmly tighten screw (4).

Secure wiring harness (6) in position with adhesive tape.

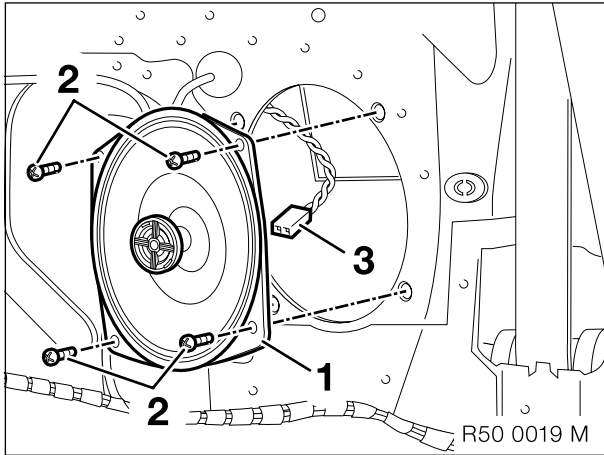


Connect plug connector (2) to woofer/ mid-range speaker (1).

Firmly secure woofer/mid-range speaker (1) with existing screws (3).

▶ Before fitting the door trim panel, remove the foam seal of the standard speaker on the inside of the door trim panel. ◀

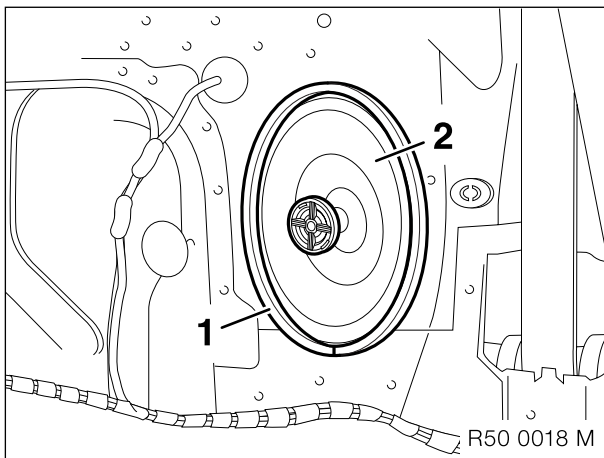
7. Installing rear coax speakers



▶ The figure shows the working steps on the left-hand side of the vehicle. The same procedure is to be followed analogously on the right-hand side of the vehicle. ◀

Connect plug connector (3) to coax speaker (1).

Firmly tighten coax speaker (1) with existing screws (2).



Adhere foam seal (1) onto coax speaker (2) as illustrated.

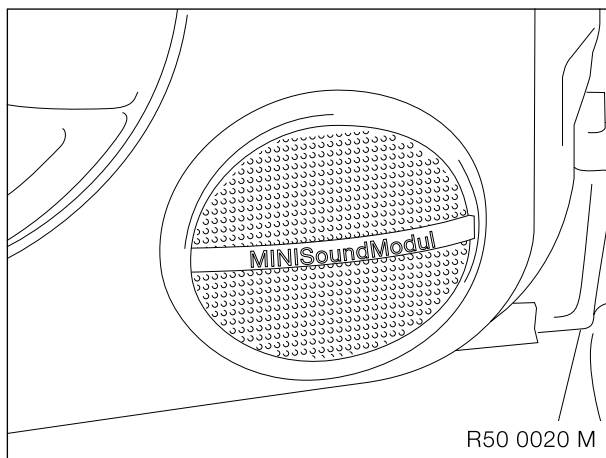
8. Affixing stickers



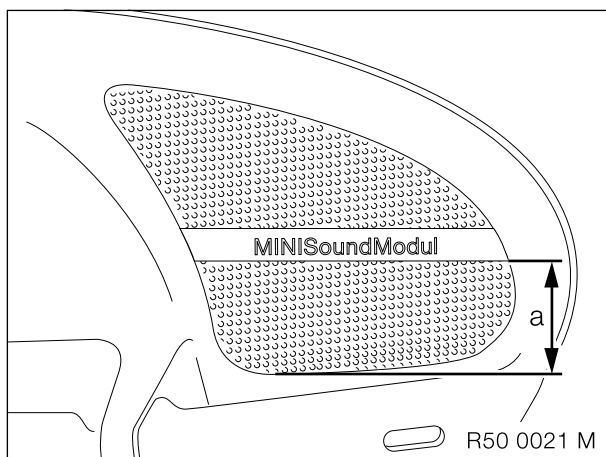
Install front left and right door trim panels. Install rear left and right side trim panels. ◀

It is important to precisely observe the following **procedure for affixing the stickers** to ensure they remain adhered permanently.

1. The speaker covers must be dry, clean, free of dust and grease. The temperature during the adhesion process must be at least 15 °C.
2. Clean the surfaces to be adhered with spirits.
3. Allow cleaned surfaces to air for approx. 15 minutes.
4. Remove protective film from the stickers and affix the stickers as illustrated below.
5. The stickers achieve their maximum adhesion force after approx. 48 hours.



Adhere stickers positioned horizontally and in the centre of the front speaker covers.



Adhere stickers positioned horizontally and approx. 86 mm (a) from the bottom edge of the rear speaker covers.

9. Concluding jobs/encoding

Connect battery.
Carry out function check.
Reassemble vehicle in reverse order of removal.

This system does not require encoding.

10. Start-up



After switching on the radio, the volume control on the radio control panel should be set to a low volume to ensure an extremely high volume level is not set after the delayed cut-in of the sound module amplifier! ◀

The sound module is equipped with a switch-on delay facility in order to avoid damaging the audio system.

The amplifier cuts in in full 2 - 6 seconds **after** switching on the radio!

Please point out these requirements to the customer when handing over the vehicle.

Refer to the **supplementary Operating Instructions for further information** on the radio settings to ensure optimum sound reproduction of the MINI Sound module.