



---

# MINI Smartphone Fixie Mount Installation Guide

---



## Table of contents

[Table of contents](#)

[Overview](#)

[Prepare the Tachometer](#)

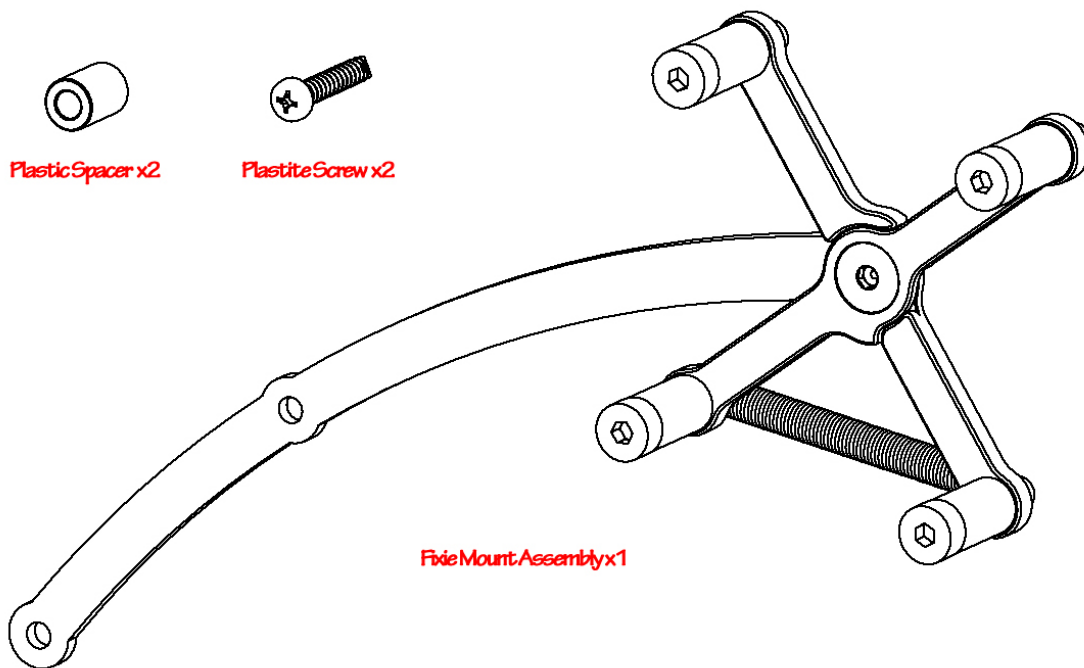
[Mount The Fixie](#)

## Overview

Thank you for purchasing the **MINI Smartphone Fixie Mount from CravenSpeed**. This is our quickest installing phone mount, which accomplished the job without any added complications. The piece is made from the highest grade materials and is **guaranteed to be free from defects**.

The installation time for this product is about 10 minutes and can be done by anyone. You will need a Philips Screwdriver as well as a T-27 Torx Driver.

Contents:



It is important to note that this CravenSpeed Strut Bar is **compatible only with R55, R56, R57, R58 and R59 MINI Cooper vehicles**.

If you have any problems during installation, please contact the company that sold you this product to work through the problem. When contacting support, please have your order number and vehicle chassis number ready. If you're unsure what your chassis number is, you can refer to our [MINI Chassis Model Code Guide](#).

## Prepare the Tachometer

Start by pulling the lever on the steering column to allow you to adjust it to its lowest setting. This will allow you access to the two torx screws that bolt the Tachometer onto the steering column.

Remove the two factory-mounting screws from behind tach, and set them aside for now, you'll need them to re-attach the tach soon.



Lean the face of the Tach down toward the steering column giving you a view remove the top and left (left as you face the back of the tachometer from the drivers seat) screws from the tach. You will not need these screws for this installation, but if you want to keep the Fixie for your next MINI and return this one to stock, you will want to save them.

## Mount The Fixie

In the two, now empty, screw holes you will first place the plastic spacers. These will provide a stand-off so that The Fixie does not rock back and forth on the rounded surface of the tach.

Then, place The Fixie so that the two holes in the arm line up with the two spacers, and thread the included screws into place.



These screws are both longer and wider than the ones you removed so that they get a good grip on the plastic you are inserting them into.

**Do not overtighten them!** It is just plastic, once it is difficult to turn and the bracket feels solidly attached you should not keep tightening it or the plastic in the tach can strip. If this happens, it is repairable by using some epoxy on the screw, but let's just avoid it in the first place.

Put the tach back in its original position on the rail, and reattach it with the Torx screws. Your Smartphone Fixie Mount is now ready to go!

