

Original MINI Accessory. Installation Instructions.



Retrofit roof spoiler MINI Clubman (R55)

Retrofit kit No.	51 71 0 414 771	Roof spoiler
	51 71 0 435 772	Roof spoiler
	51 71 0 435 773	Roof spoiler

Installation time

The installation time is **approx 1.0 hours** in total, but may vary depending on the condition of the car and the equipment in it.

Important information

These installation instructions are primarily designed for use within the MINI dealership organisation and by authorised MINI service companies.

In any event the target group for these installation instructions is specialist personnel trained on MINI cars with the appropriate specialist knowledge.

All work must be completed using the latest MINI repair manuals, circuit diagrams, servicing manuals and work instructions, in a rational order, using the prescribed tools (special tools) and observing current health and safety regulations.

In the event of any installation or function problems, restrict the troubleshooting session to about 0.5 hours for mechanical work or 1 hour for electrical work.

In order to reduce costs and avoid any additional expense, send a query immediately to the Technical Parts Support via the Aftersales Assistance Portal (ASAP).

Specify the following information:

- Chassis number
- Part number of the retrofit kit
- A precise description of the problem
- Work steps already carried out

Do not archive the hard copy of these installation instructions since daily updates are made by ASAP!

All pictures show LHD cars; proceed accordingly on RHD cars.

Pictograms




Denotes instructions that draw your attention to special features.




Denotes the end of the instruction or other text.

Installation information

Some of the installation is shown only on one side of the car; proceed in the same way on the other side of the car.

-  The ambient temperature should not be lower than 20°C when adhesive operations are being carried out.

Betaprime 5402 is impossible to remove after a very short setting time (approx. 1 minute) with any solvent. This is why absolute cleanliness must be observed when working. ◀

-  The Betalink 2K glue must cure for at least 1 hour at room temperature. Do not pass the car through a car wash for at least 48 hours. ◀

Ordering instructions

The following parts are not supplied in the retrofit kit and must be ordered separately (see EPC for part number and details).

Betalink 2K glue pack, part no. 83 19 0 413 384

Glue gun, part no. 83 19 0 406 983

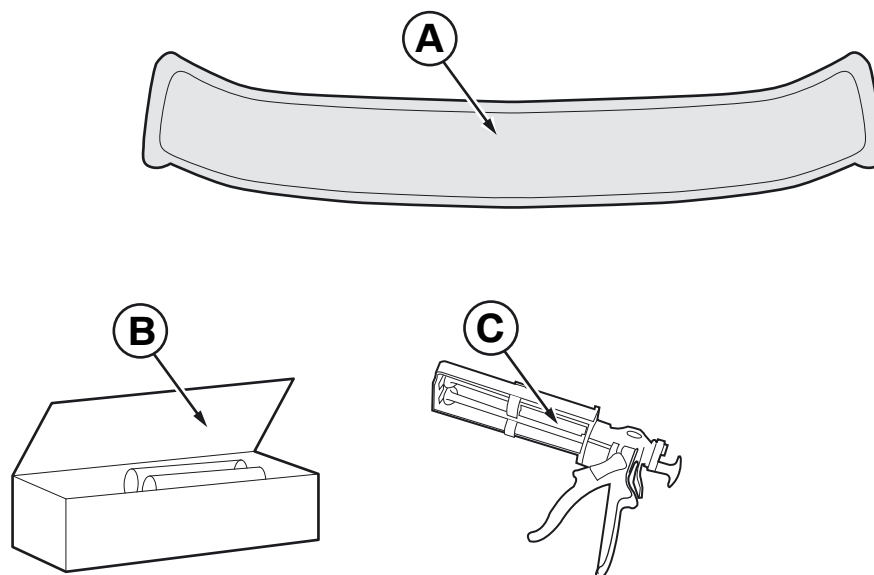
Special tools required

None

Table of contents

Section	Page
1. Parts list for roof spoiler.....	4
2. Preparatory work	5
3. Installation diagram	6
4. To install the roof spoiler.....	7
5. Concluding work and coding	9

1. Parts list for the roof spoiler



055 0049 V

Legend

A Roof spoiler

Not included in parts kit

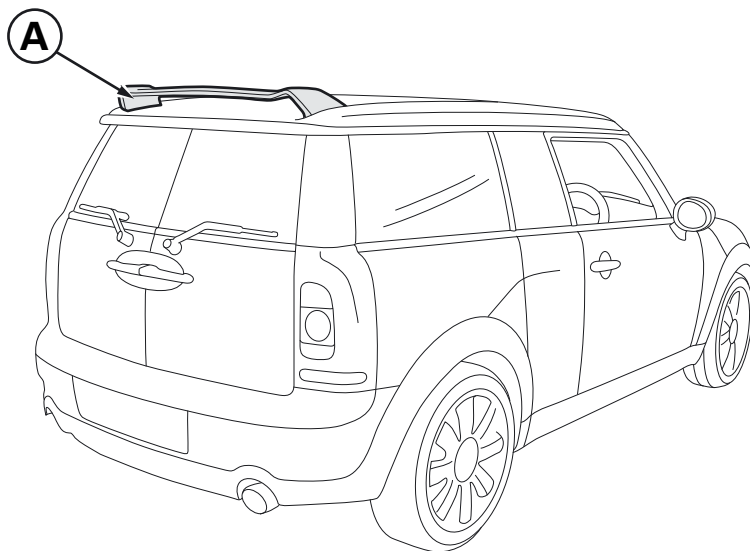
B Betalink 2K glue pack

C Glue gun

2. Preparatory work

	ISTA No.
Conduct a brief test	—
Disconnect negative pole of battery	12 00 ...
The following components must be removed first of all	
None	—

3. Installation diagram

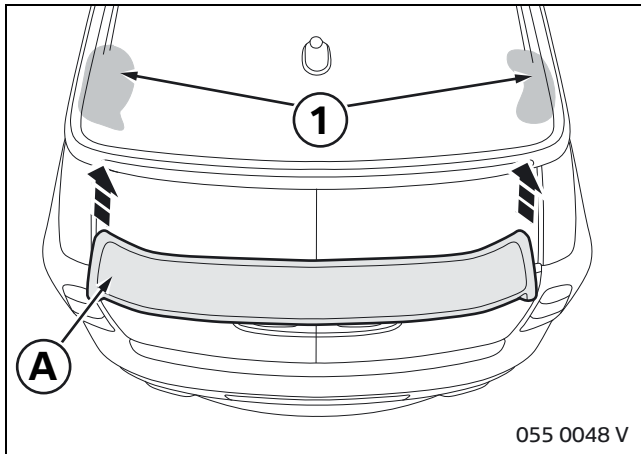


055 0047 V

Legend

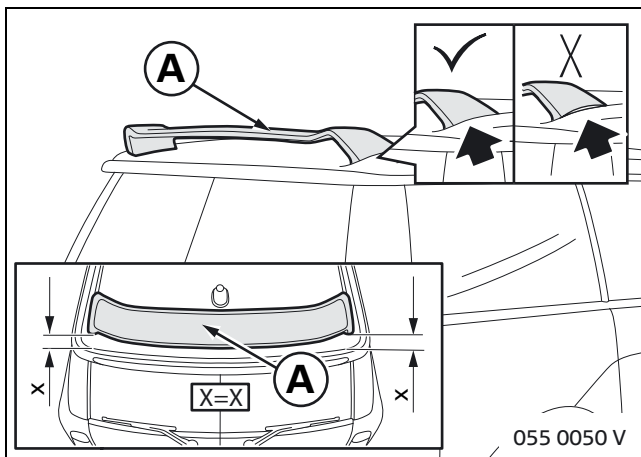
A Roof spoiler

4. To install the roof spoiler



Clean the marked areas (1) on the roof with Betalink Cleaner.

Set roof spoiler **A** on the roof and position.



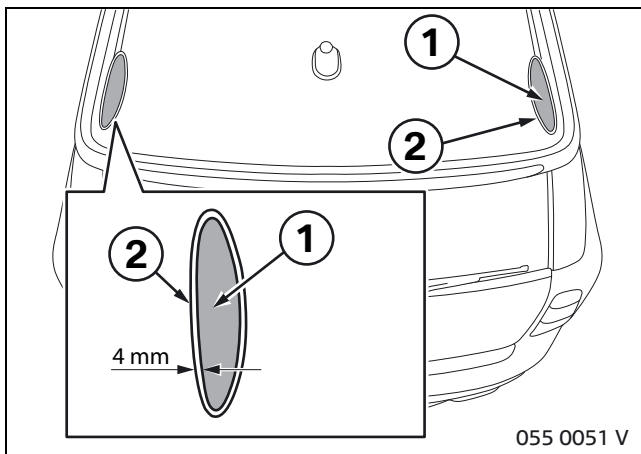
▶ The roof spoiler **A** is positioned via the gap path between the roof and the spoiler.

Ensure that the resulting gap between the base and the roof is as small and as even as possible.

It must be ensured that both bases of the roof spoiler **A** are placed at the same distance to the roof edge. ◀

Transfer the outline of the undersurface of the roof spoiler **A** onto the roof using a water-soluble pen.

Then remove the roof spoiler **A** from the roof.

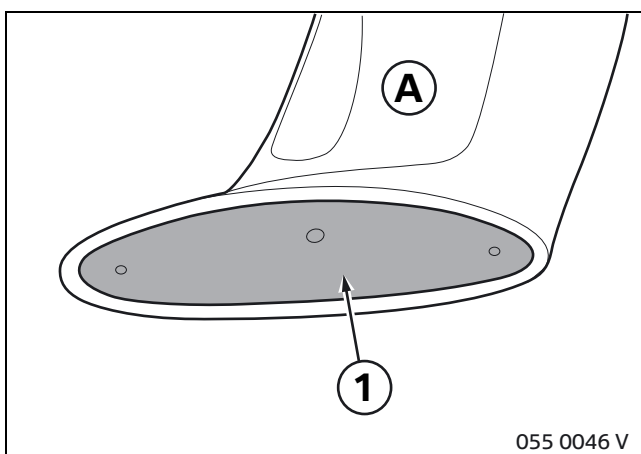


Apply Betalink Primer inside the area marked in grey (1). Leave a gap of approx. 4 mm from the outer edge (2).

▶ **Betaprime 5402 is impossible to remove after a very short setting time (approx. 1 minute) with any solvent. This is why absolute cleanliness must be observed when working.**

If necessary, remove any primer that runs beyond the edges of the marked area immediately. ◀

▶ Read the instructions enclosed with the Betalink glue pack **B**. ◀

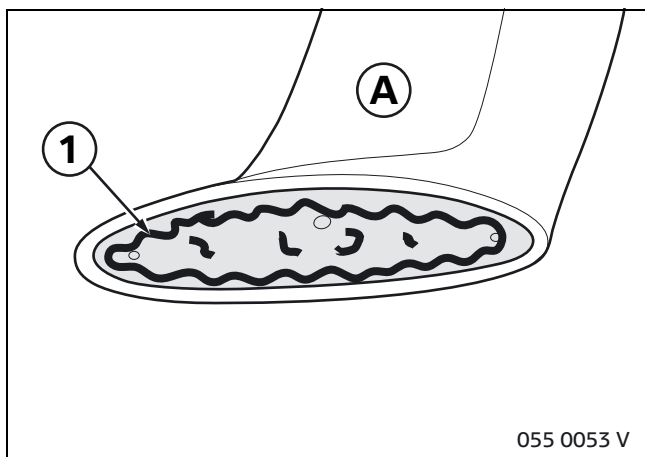


Carefully roughen the undersurface (1) using the sandpaper enclosed with the Betalink 2K glue pack **B** and then clean thoroughly with Betalink Cleaner.

Apply Betalink Primer to the undersurface (1) of the roof spoiler **A**.

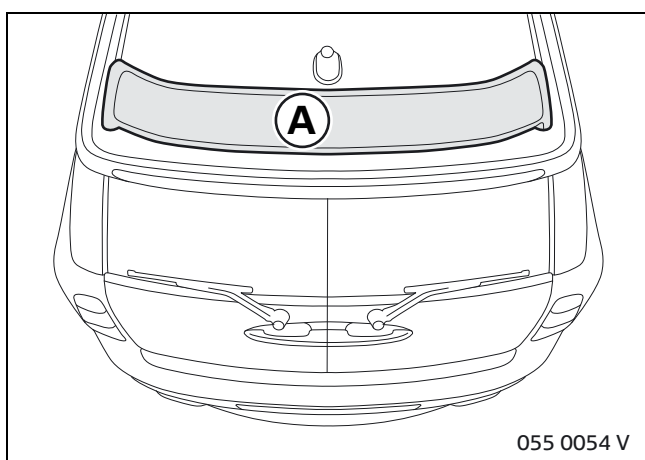
▶ If necessary, remove any primer that runs beyond the edges of the marked area immediately. ◀

0. To install the roof spoiler



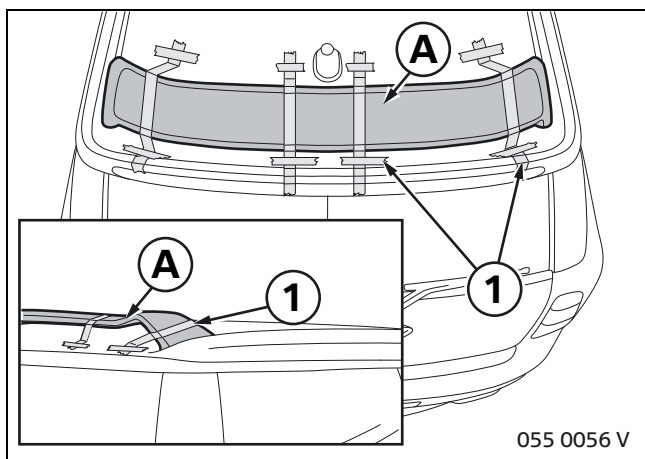
Apply a bead of Betalink 2K glue on the undersurface (1) of the roof spoiler **A** inside the area treated previously with Betalink Primer.

- ▶ If necessary, remove any Betalink glue and Betalink Primer that runs beyond the edges of the marked area immediately. ◀
- ▶ Read the instructions enclosed with the Betalink glue pack **B**. ◀



Position the roof spoiler **A** inside the drawn-on outlines, align correctly and press firmly into place.

- ▶ Remove any Betalink glue or Betalink Primer that may ooze from the edges immediately. ◀
- ▶ Read the instructions enclosed with the Betalink glue pack **B**. ◀



Fix the roof spoiler **A** in place with adhesive tape (1). The Betalink 2K glue must cure for at least 1 hour at room temperature. Then remove the adhesive tape. Now completely remove any traces of the marks made on the roof using the water-soluble pen.

Do not pass the car through a car wash for at least 48 hours.

5. Concluding work and coding

This retrofit system does not require coding.

- Connect the battery
- Conduct a brief test