

Genuine MINI Accessories Installation Instructions.



Retrofitting portable navigation system

MINI One (R56)

MINI Cooper (R56)

MINI Cooper S (R56)

Retrofit not available for vehicles equipped with the option SA 609 Professional navigation system.

Retrofit kit No.	65 90 0 429 056	Retrofit kit - Navigation portable
	65 90 0 429 058	Retrofit kit - Navigation portable

Installation time

The installation time of approx. **0.5 hours** may vary depending on the vehicle condition and equipment.

The vehicle must be updated to the latest I-level status by flashing before installing the retrofit. Different programming times are necessary depending on the production age of the vehicle and the work already performed on the vehicle so that no time requirements can be specified here. The installation time does not include the time required for programming/encoding which depends on the vehicle's age and equipment.

Important information

These installation instructions are primarily designed for use within the MINI dealership organisation and by authorised MINI service companies.

In any event, the target group for these installation instructions is specialist personnel trained on MINI cars with the appropriate specialist knowledge.

All work must be completed using the latest MINI repair manuals, circuit diagrams, servicing manuals and work instructions, in a rational order, using the prescribed tools (special tools) and observing current health and safety regulations.

In the event of installation or functional problems, limit troubleshooting to 0.5 hours for mechanical jobs and 1.0 hours for electrical jobs.

To avoid unnecessary work and costs, send a corresponding enquiry via the Aftersales Assistance Portal (ASAP) using the technical parts support application.

Please quote the following:

- Vehicle identification number
- Part number of retrofit kit
- Exact description of the problem
- Work already carried out

Do not archive the hard copy of these installation instructions since daily updates are made by ASAP!

All pictures show LHD cars; proceed accordingly on RHD cars.

Pictograms



Denotes instructions that draw your attention to special features.

- ◀ Denotes the end of the instruction or other text.

Installation information

Ensure that the cables/lines are not kinked or damaged as you install them in the car. Costs incurred as a result of incorrect installation will not be reimbursed by BMW AG.

Additional cables/lines that you install must be secured with cable ties.

If the specified PIN chambers are occupied, bridges, double crimps or twin-lead terminals must be used.

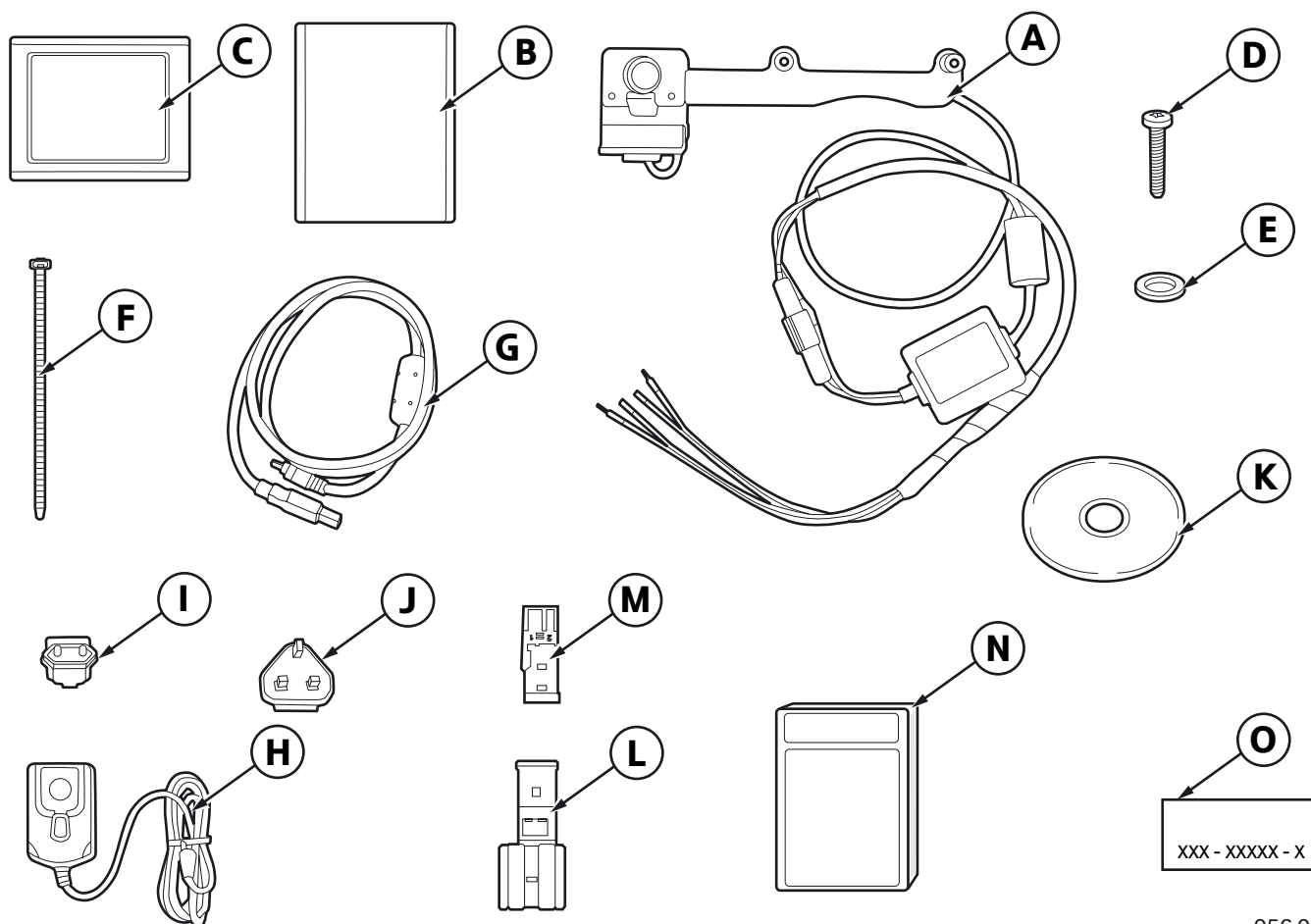
Special tools required

None

Contents

Section	Page
1. Parts Overview	4
2. Preparatory work	5
3. General layout and installation diagram	6
4. Overview of connections	7
5. Installing bracket for portable navigation unit	8
6. Finishing off and coding	9
7. Circuit diagram	10

1. Parts Overview



056 0250 V

Key

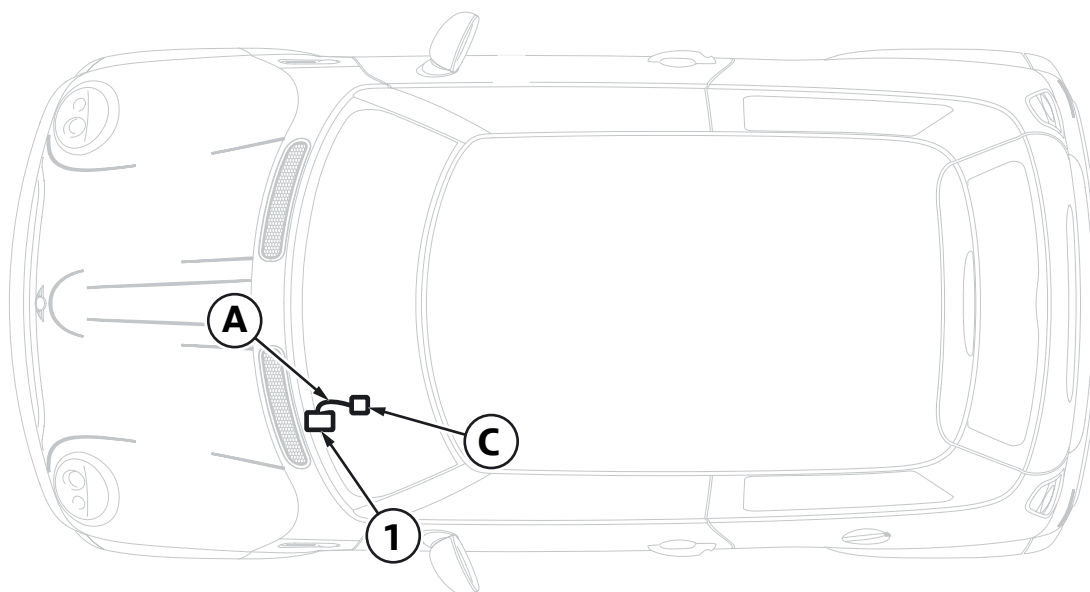
- A** Bracket with wiring harness
- B** Storage case
- C** Navigation unit
- D** Screw (2x)
- E** Washer (2x)
- F** Cable tie (5x)
- G** USB cable
- H** Charging cable

- I** ECE adapter
- J** UK adapter
- K** Operating instructions
- L** Pin housing
- M** Socket housing
- N** Quick start instructions
- O** Activation code

2. Preparatory work

	TIS No.
Perform quick test	—
Disconnect negative terminal of battery	12 00 ...
Remove the following components	
Bottom left trim for dashboard	51 45 180
Rev counter on steering column	62 10 100

3. General layout and installation diagram



050 1004 V

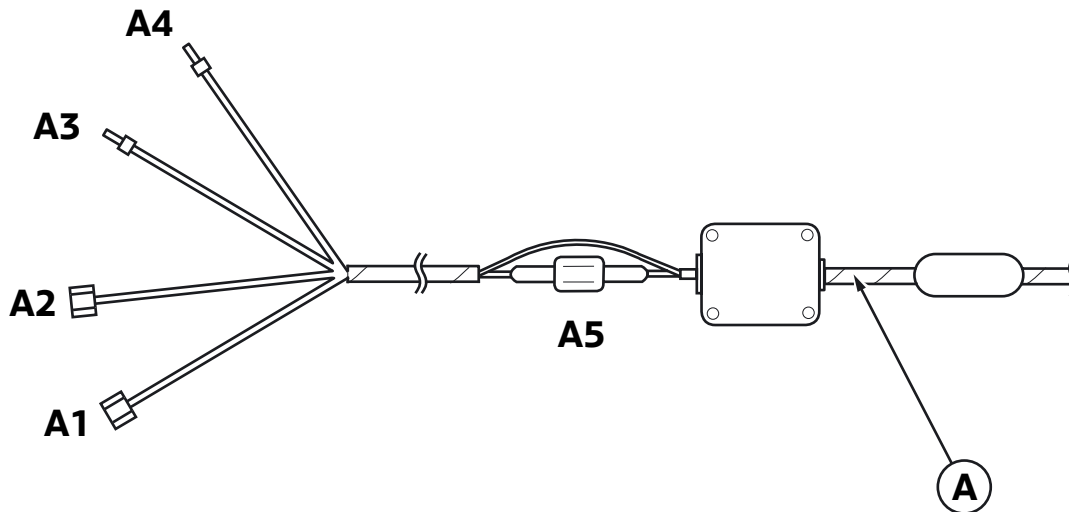
Key

A Bracket with wiring harness

C Navigation unit

1 Wiring loom connection

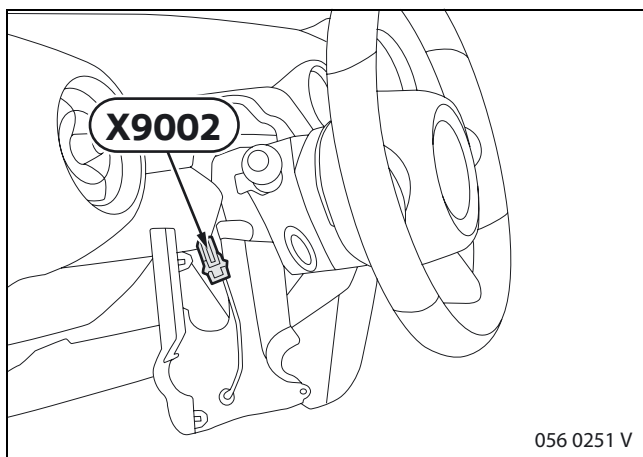
4. Overview of connections



050 1005 V

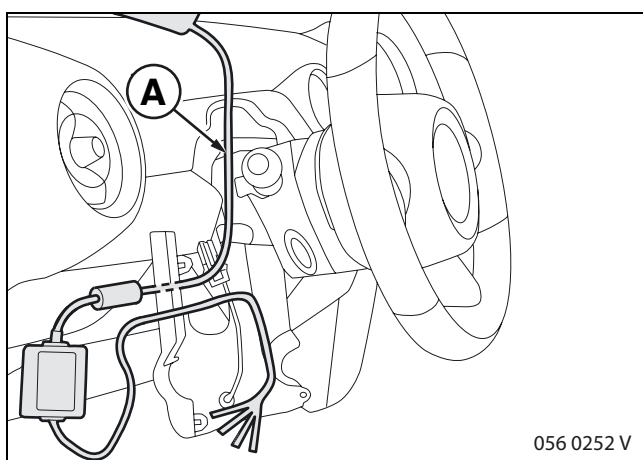
Item	Description	Signal	Cable colour/ cross section	Plug-in location in vehicle	Designation / connection location
A	Wiring harness	—	—	—	—
A1	Socket contact	Kl. 15	RT 0.50 mm ²	At connector X9002 (18-pin, black), PIN 17	X9002 PIN 17
A2	Socket contact	Kl. 31	SW 0.50 mm ²	At connector X9002 (18-pin, black), PIN 18	X9002 PIN 18
A3	Pin contact	Kl. 15	RT 0.50 mm ²	At pin housing L (2-pin), Pos. 1	Pos. 1
A4	Pin contact	Kl. 31	SW 0.50 mm ²	At pin housing L (2-pin), Pos. 2	Pos. 2
A5	Fuse	—	—	—	—

5. Installing bracket for portable navigation unit



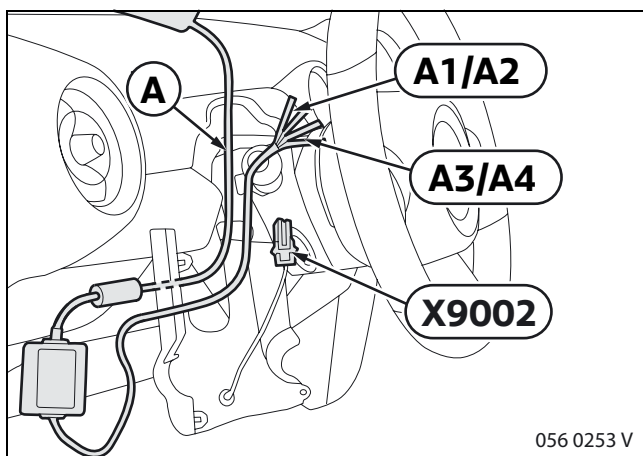
Unplug connector **X9002**. Unplug PIN 17 and PIN 18. Then plug in at socket housing **M** as follows:

- PIN 18 at Pos. 2
- PIN 17 at Pos. 1



Run wiring loom **A** along the vehicle wiring harness on the steering column behind the dashboard.

Secure wiring loom **A** to the vehicle wiring harness with cable strap **F**.



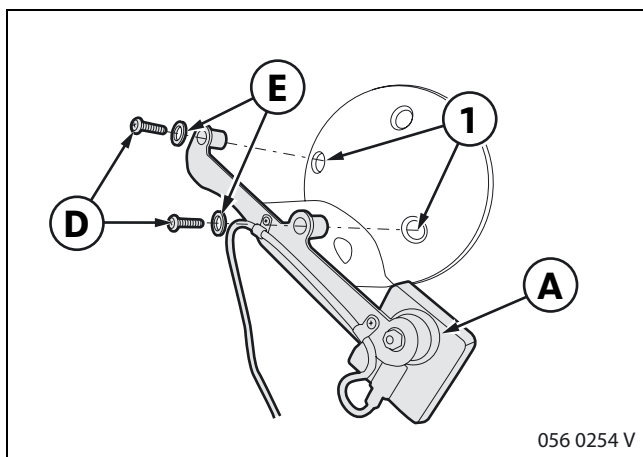
Now run wiring loom **A** back to connector **X9002** and connect branches **A1** and **A2** as follows:

- Branch **A1** at PIN 17
- Branch **A2** at PIN 18

Connect branches **A3** and **A4** to pin housing **L** as follows:

- Branch **A3** at Pos. 1
- Branch **A4** at Pos. 2

Connect socket housing **M** and pin housing **L**.




Release screws (1) holding the steering column instrument and secure bracket **A** for navigation unit as illustrated at steering column instrument. Use screws **D** and washers **E** for this purpose.

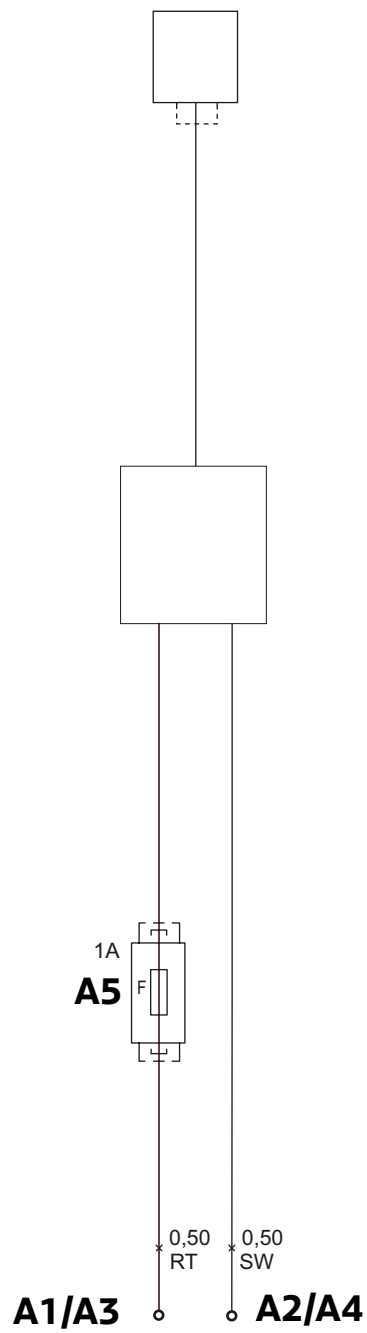
6. Finishing off and coding

The retrofit system does not require encoding.

- Reconnect vehicle battery
- Perform quick test
- Reassemble vehicle in reverse order of removal.

 Hand over all remaining parts of the parts kit to the customer. ◀

7. Circuit diagram



050 1012 V

7. Circuit diagram

Legend

A1*	Socket contact
A2*	Socket contact
A3*	Pin contact
A4*	Pin contact
A5*	Fuse

All designations marked * only apply to these installation instructions or this circuit diagram.

Cable colours

RT	Red
SW	Black