



# Installation Instructions

Page 1 of 6

May 2005

Accessories, Soft-Sided Cargo Carrier

Ver 1.0

Accessory  
Development

## SUBJECT

**SOFT-SIDED ROOF CARGO CARRIER – P/N 82 12 0 404 368**

## MODEL

MINI Cooper (R50): All vehicle production \*  
MINI Cooper (R53): All vehicle production \*

**\* WARNING: VEHICLE MUST HAVE ACCESSORY MINI ROOF RACK SYSTEM AND BE FITTED WITH ACCESSORY LARGE LUGGAGE RACK P/N 82 72 9 413 104**

**SUGGESTED INSTALLATION TIME: 0.25 HOURS\*\***

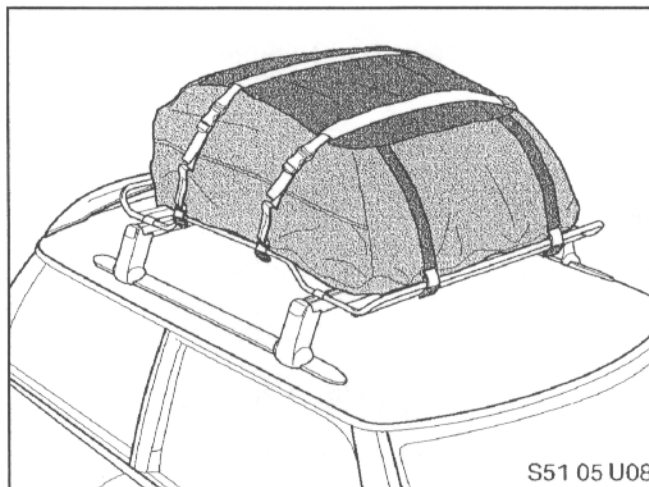
**\*\* Does not include installation time for MINI Roof Rack system and large luggage rack.**

The instructions below are developed for MINI vehicles and are not to be compared to any other existing instructions for vehicles other than MINI. No methods other than those specified in this document are to be used for installation on MINI vehicles. Left and right are determined from the driver's seat.

**A COPY OF THE INSTRUCTIONS MUST BE GIVEN TO CUSTOMER AT TIME OF PURCHASE OR INSTALLATION.**

Carefully read all instructions and supplements before proceeding with the installation. Reference should be made to TIS for instructions dealing with a stock part of the vehicle but not stated in detail in these instructions.

The instructions were complete and up to date at time of publication; however, changes to the vehicle or installation may have occurred. Please report any problems or changes noted with the installation to MINI Technical Hotline, along with VIN, date of manufacture and as much detail as possible.



**★ ★ DO IT RIGHT THE FIRST TIME, ON TIME, EVERY TIME ★ ★**

Installation Instruction P/N 01 29 0 406 751

MINI, a division of BMW of North America, LLC

© 2005 BMW of North America, LLC

**PARTS INFORMATION****Contents of Kit - P/N 82 12 0 404 368**

<b>Description</b>	<b>Qty</b>	<b>MINI Part Number</b>
MINI Soft-Sided Cargo Bag * (see Figure 1)	1	N/A
Attachment Strap (see Figure 2)	8	82 12 0 406 754 **
Carry Bag: Reference Illustration S51 05 U16 (callout No.1) on page 6	1	N/A

\* MINI Luggage Rack and MINI Roof Rack System not included.

\*\* Individual Attachment Strap available as a replacement part.

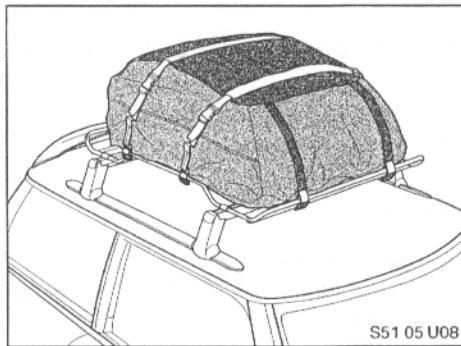


Figure 1

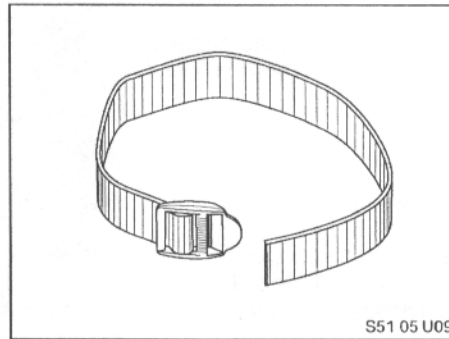


Figure 2

**ADDITIONAL REQUIRED PARTS**

<b>Description</b>	<b>MINI Part Number</b>
MINI Roof Rack System - (Base Support System)	82 71 0 024 992
Base Support System Install Kit - (for Black Roof)	82 79 0 136 426
Base Support System Install Kit - (for White Roof)	82 79 0 139 366
MINI Large Luggage Rack - or	82 72 9 413 104
MINI Roof Rack System - (Roof Rail System Roof Rails)	51 13 0 151 282
MINI Roof Rack System - (Cross Member System)	82 71 0 151 283
MINI Large Luggage Rack -	82 72 9 413 104

## MINI Soft-Sided Cargo Carrier WARNINGS, and Guidelines

### WARNINGS:

- The MINI Soft-Sided Cargo Carrier is to be used only in conjunction with the MINI Roof Rack System Base Support System, fitted with Large Luggage Rack Part Number 82 72 9 413 104.
- If your vehicle is not fitted with raised racks, **DO NOT USE THIS PRODUCT**. This product must NOT be mounted directly on the roof of the vehicle.
- All eight (8) provided attachment straps must be used to secure the MINI Soft-Sided Cargo Carrier to the vehicle roof rack.
- Be sure to check all straps for tightness at regular intervals during travel.
- Zipper must be positioned at the rear of the vehicle. Zipper must not face the front of the vehicle.
- Do not overload/overstuff the MINI Soft-Sided Cargo Carrier.
- Do not exceed 100 lb. weight capacity rating of the MINI Soft-Sided Cargo Carrier. Reference Vehicle Owners Manual for Maximum Roof Load.
- Avoid mounting or removing the Cargo Carrier from vehicle while fully loaded.
- The MINI Soft-Sided Cargo Carrier increases the overall height of the vehicle. Use caution in any situation (parking garages, low clearance toll plazas, etc.) where increased vehicle height could cause a problem.
- Heavy Cargo mounted on roof will affect vehicle handling. Adapt your speed and driving style to load and road conditions.

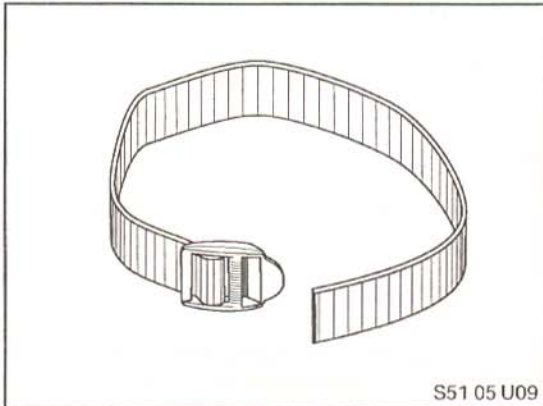
### GUIDELINES:

- Do not leave the Cargo Carrier mounted on the vehicle without cargo.
- The MINI Soft-Sided Cargo Carrier is *Water Resistant*; IT IS NOT 100% WATERPROOF. Cargo must be packed in waterproof plastic bags if cargo is sensitive to water or there is a chance of experiencing extreme weather conditions.
- Clean Snow and Ice off Cargo Carrier as soon as practical. Do not let Snow or Ice melt on Cargo Carrier.
- This product will not prevent dents or other damage resulting from improper loading, securing, or driving.
- Do not leave the vehicle unattended for long periods of time if the Cargo Carrier contains valuable personal items.
- Do not hand wash, or run vehicle through a car wash, with Cargo Carrier on vehicle.
- To clean the MINI Soft Sided Cargo Carrier, a damp sponge works best using only water with a mild detergent, which contains no additives (such as alcohol, chlorine or ammonia) as these could damage or discolor the surface. Allow bag to air dry completely before placing in provided carry bag or storage.

**PROCEDURE:**

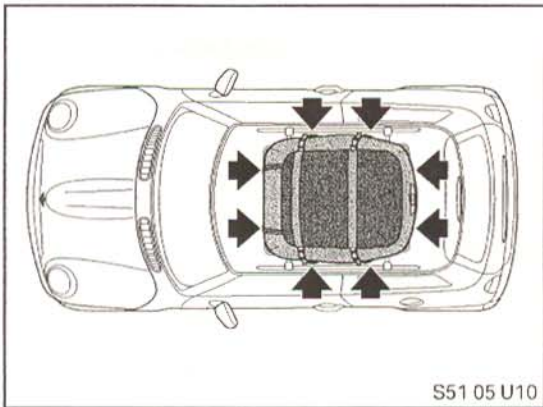
1. Position Cargo Carrier on Luggage Rack as illustrated. Zipper must face rear of vehicle, zipper must **not** face front of vehicle. Reference Illustration S51 05 U14, step 7, on page 5 for close-up of zipper.

**Note:** Cargo Carrier shown fully loaded and expanded for clarity.

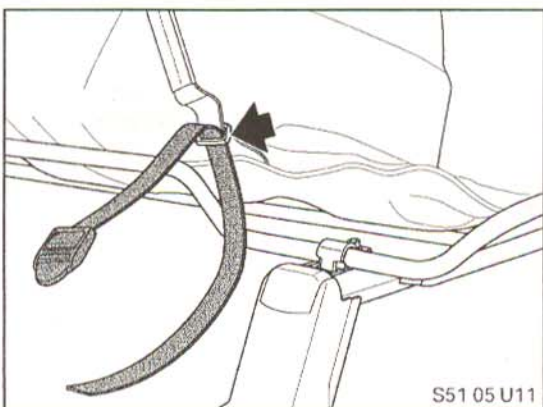


2. Remove all eight (8) Attachment Straps from kit.

**Note:** All eight (8) Attachment Straps **must be used to secure Cargo Carrier to Luggage Rack.**

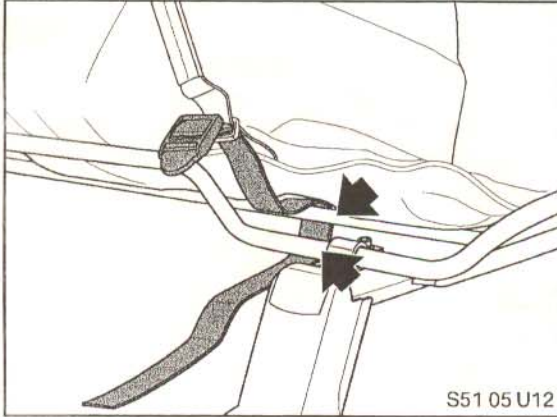


3. Attachment Straps are to be installed in positions illustrated (arrows).

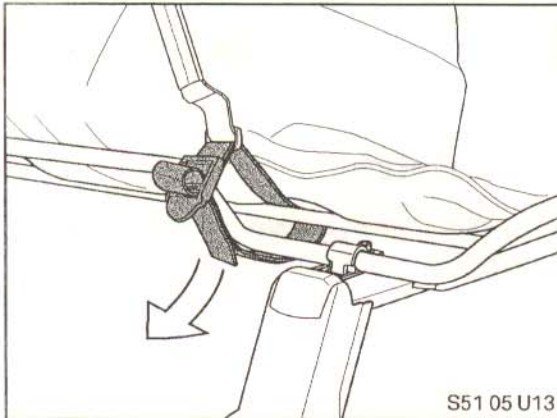


4. Route Attachment Strap through Anchoring Ring (arrow) as illustrated.

5



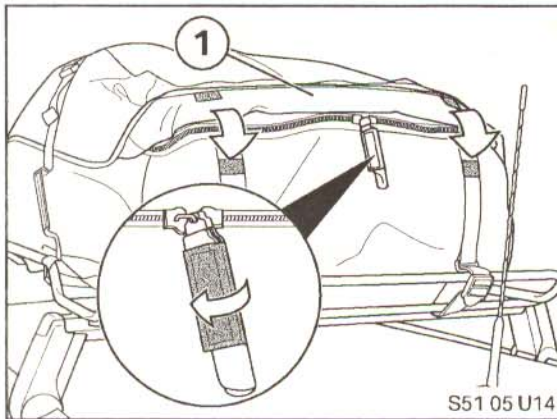
5. Route free end of Attachment Strap over [at least] one inner rail and the outer rail (arrows) of the luggage rack.



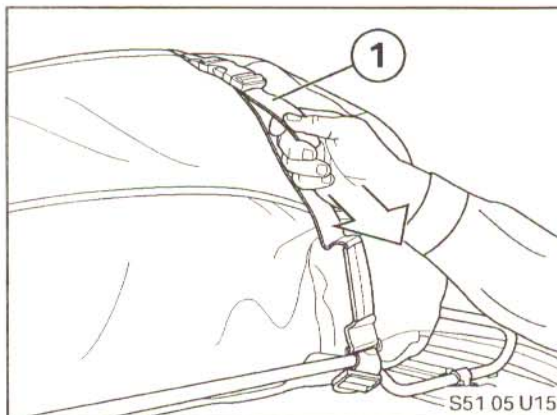
6. Continue routing free end of strap through buckle as illustrated. Pull strap **tight** to secure Cargo Carrier in place.

**Note:** Excess strap end should be wrapped around luggage rack and secured to prevent strap end from flapping and contacting vehicle.

Repeat steps 4, 5, and 6 for remaining seven (7) attachment straps.

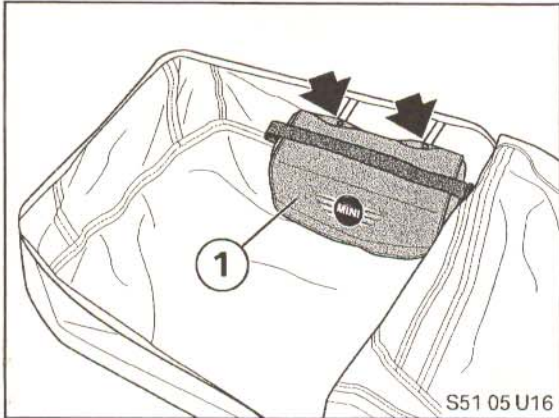


7. Close Cargo Carrier by routing both Zipper Pulls to center position at rear of carrier; securing Zipper Pulls to each other with Velcro™ Tab (inset) and covering Zipper with Storm Flap (1).



8. Evenly tighten Front and Rear, Left and Right side Compression Straps, by pulling downward on strap ends (1), to stabilize cargo in Carrier.

Secure any excess strap ends as required.



6

9. Carry Bag (1) can be secured inside Cargo Carrier [for storage or use as a small items compartment] by snapping bag to straps (arrows) on inside of Cargo Carrier.

**THE INSTALLATION PROCEDURE IS COMPLETE.**

**A COPY OF THESE INSTRUCTIONS SHOULD BE KEPT IN THE VEHICLE AND OR WITH THE CARGO CARRIER AT ALL TIMES FOR CUSTOMER REFERENCE.**