

John Cooper Works Tuning. Installation Instructions.



John Cooper Works gear lever knob
John Cooper Works handbrake grip
John Cooper Works gear lever/handbrake gaiter
MINI One (R56)
MINI Cooper (R56)
MINI Cooper S (R56)

Retrofit kit no.:	25 11 0 417 952	Leather/Carbon gear lever knob
	25 11 0 417 954	Alcantara/Carbon gear lever knob
	34 40 0 417 956	Leather/Carbon handbrake grip
	34 40 0 417 958	Alcantara/Carbon handbrake grip
	25 11 0 417 960	Alcantara gear lever gaiter
	34 40 0 417 962	Alcantara handbrake gaiter

Installation time based on TIS.

Important information

These installation instructions are primarily designed for use within the MINI dealership organisation as well as by authorised MINI service companies.

In any event, the target group for these installation instructions is specialist personnel trained on MINI cars with the appropriate specialist knowledge.

All work must be completed using the latest MINI repair manuals, circuit diagrams, servicing manuals and work instructions, in a rational order, using the prescribed tools (special tools) and observing current health and safety regulations.

To avoid unnecessary extra work and/or costs, if any installation or function problem occurs, after a brief troubleshooting session (approx. 0.5 hours), please contact the following:

1. Either your national subsidiary or your regional office, or
2. The support team via the Aftersales Assistance Portal (ASAP), using the optional technical parts support application.

Specify the chassis number and the part number of the installed retrofit kit and give a precise description of the problem.

Do not archive the hard copy of these installation instructions since daily updates are made by ASAP!
All pictures show LHD cars; proceed accordingly on RHD cars.

Pictograms:



Denotes instructions that draw your attention to dangers.



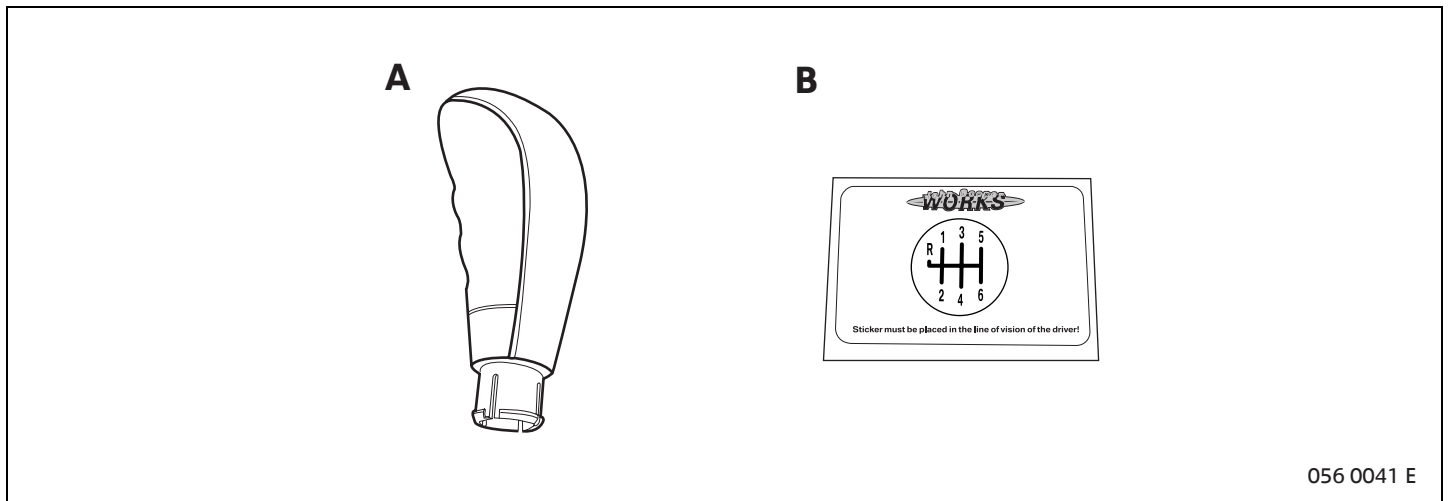
Denotes instructions that draw your attention to special features.

◀ Denotes the end of the instruction or caution text.

Contents

Chapter	Page
1. Parts overview of gear lever knob	3
2. Installation of gear lever knob	4
3. Parts overview of handbrake grip	5
4. Installation of handbrake grip	6
5. Parts overview of gear lever gaiter/handbrake gaiter	7

1. Parts overview of gear lever knob



Legend

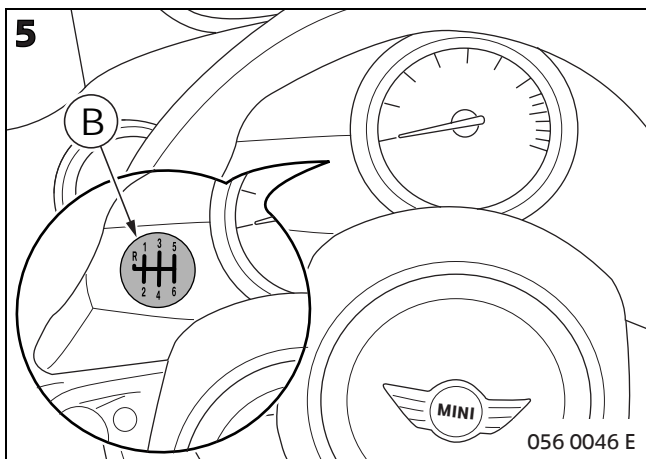
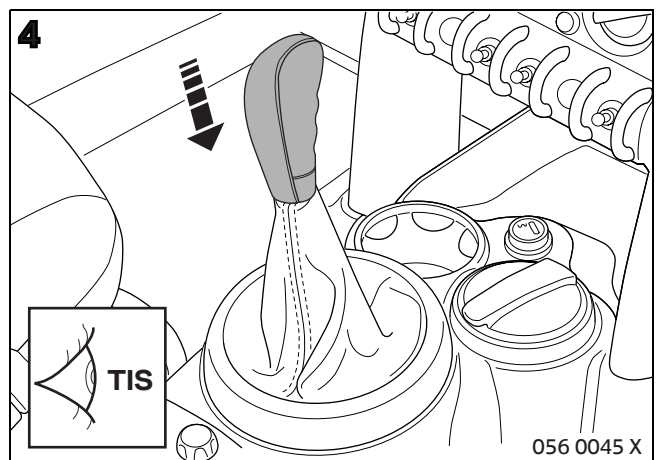
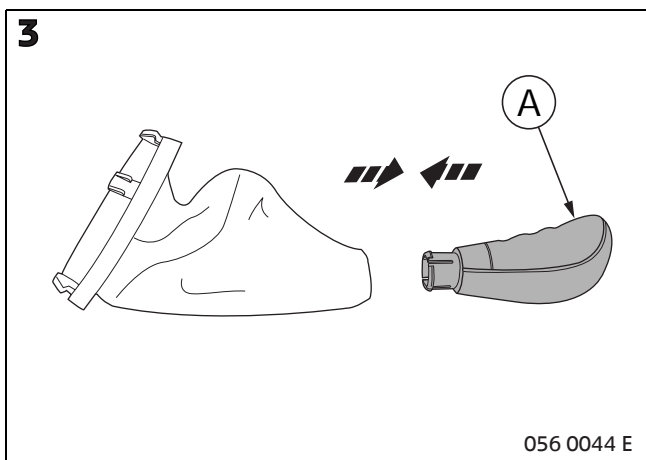
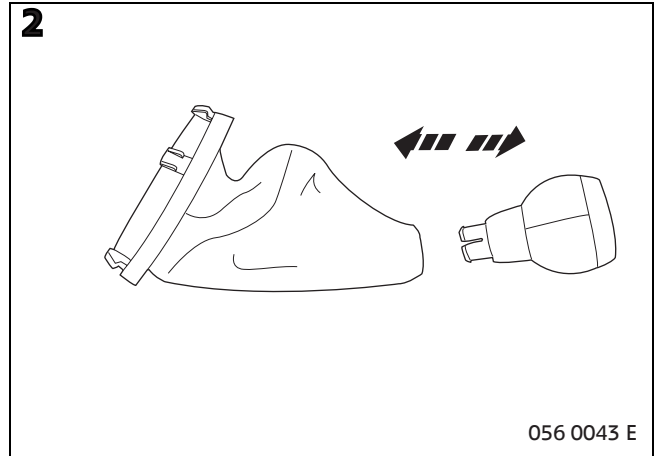
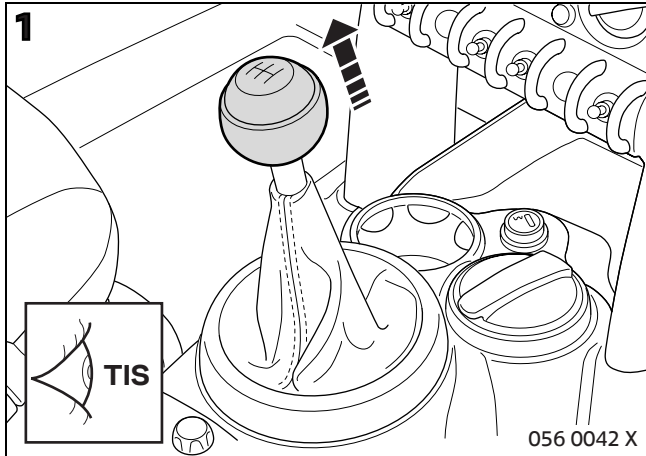
A Gear lever knob

B Adhesive label

Installation time:

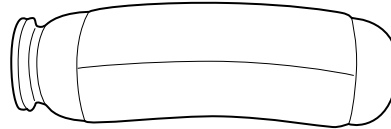
The installation time is approx. 0.25 hours, but may vary depending on the condition of the car and the equipment in it.

2. Installation of gear lever knob



3. Parts overview of handbrake grip

A



056 0047 E

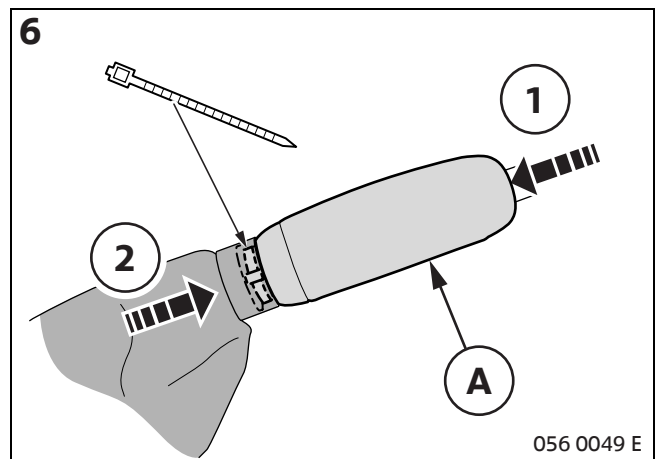
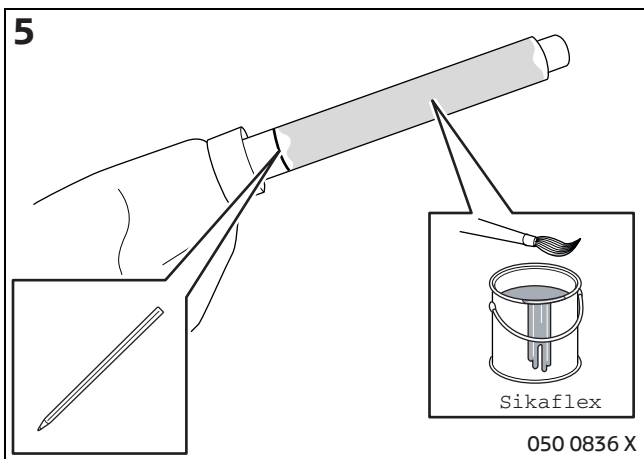
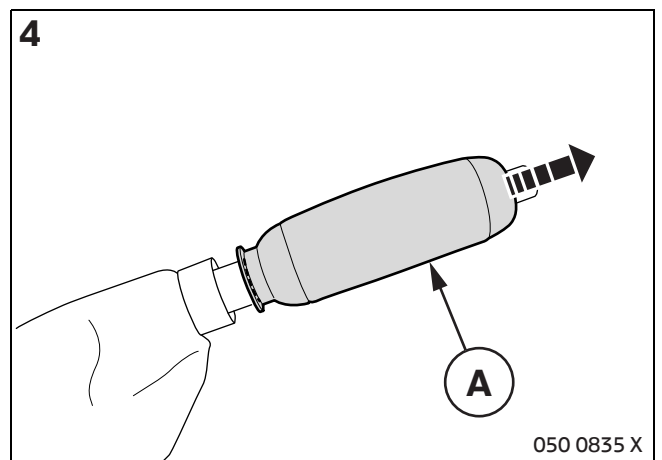
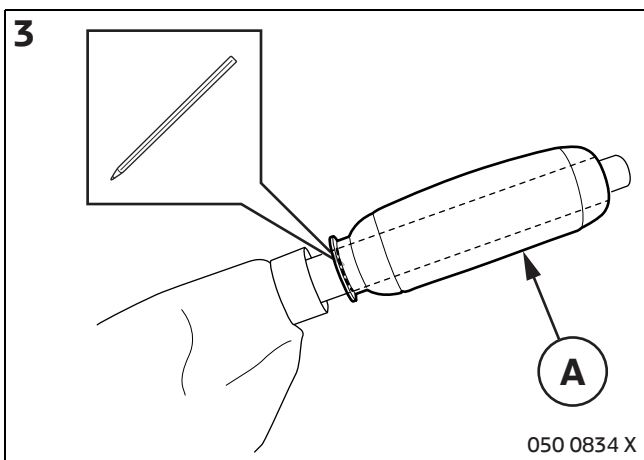
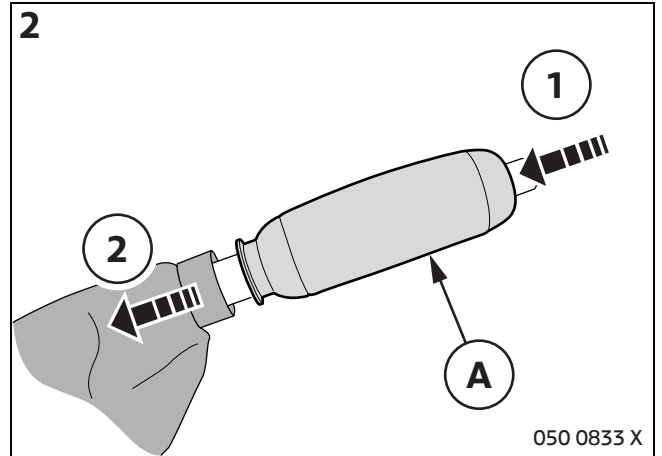
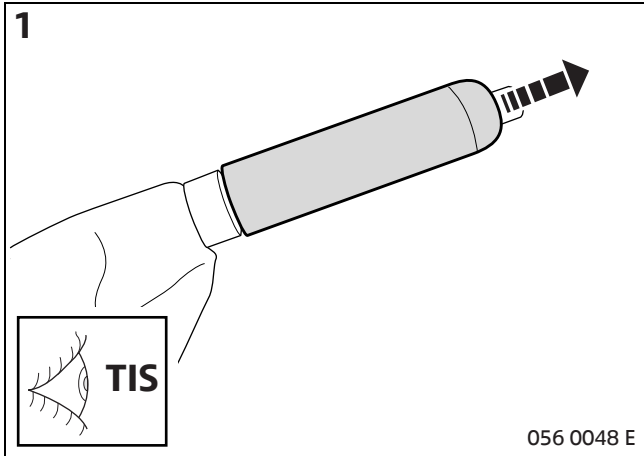
Legend

A Handbrake grip

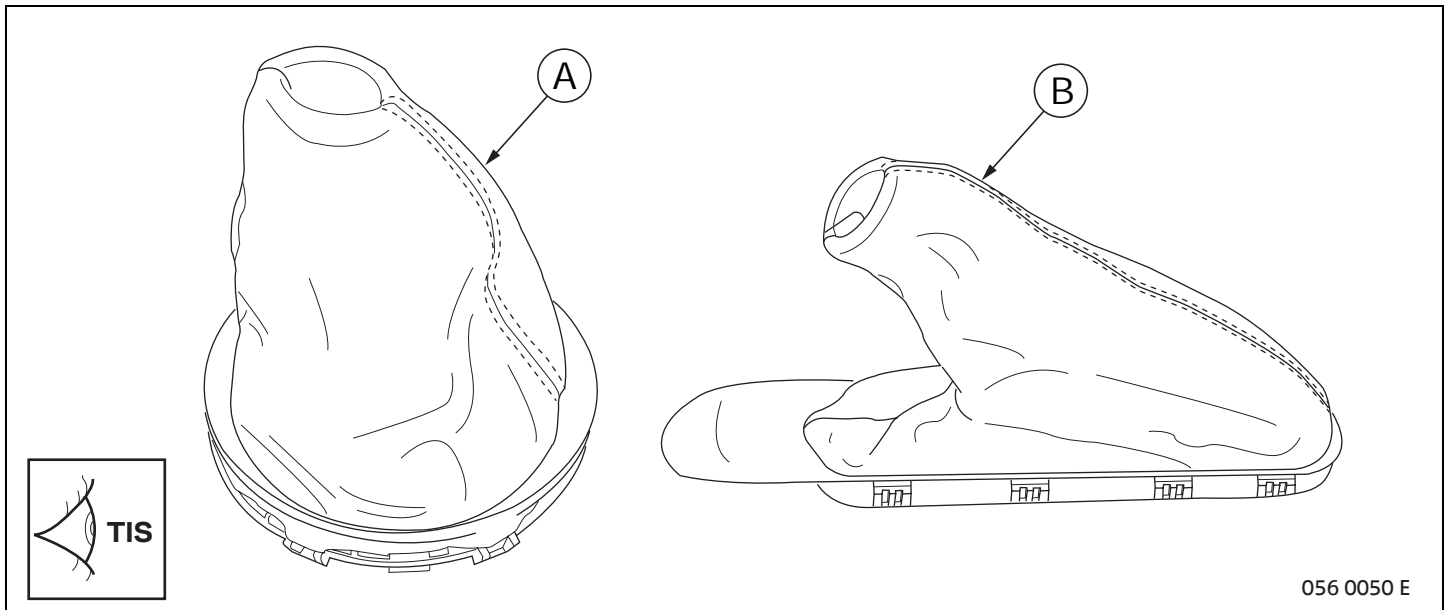
Installation time:

The installation time is approx. 0.25 hours, but may vary depending on the condition of the car and the equipment in it.

4. Installation of handbrake grip



5. Parts overview of gear lever gaiter/handbrake gaiter



Legend

- A Gear lever gaiter
- B Handbrake gaiter

**Installation time based on TIS.
Preliminary work based on TIS**