



Interior Trim Pads

1. Handbrake black vinyl gaiter. **CK989**
2. Lower black dash rail crash pad fitted from 1967-80 **ALA6621**
3. Lower black dash rail crash pad. 1980 on **FCS100030PMA**



NOTE: We can also supply all Newton Commercial Trim Products. Please phone for details

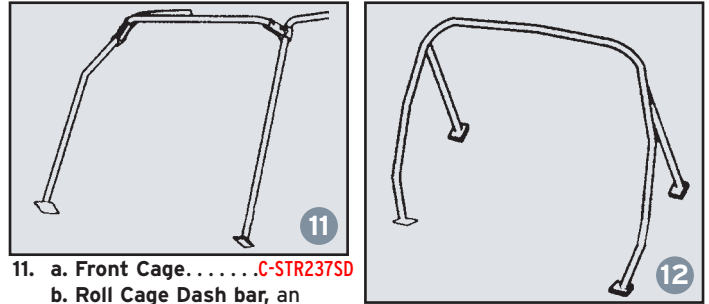
Visors, Headlinings & Rails

- Headlinings (ready shaped material only) (Not shown).
4. a. Headlining kit with rear corners for MK1/2.... **5D4085**
 - b. Headlining clips. Pack of 20. **C707**
 5. Headlining kit with rear corners for MK3 1970 on.
 - a. In white **PAM5401AP**
 - b. In grey **PAM5401LNG**
 - c. In black **PAM5401BLACK**
 6. Headlining support rails for MK3 1970 on. Color coded.
 - a. No. 1 rod. Red ends **EEB100060**
 - b. No. 2 & 3 rod. White ends **EEB100070**
 - c. No. 4. rod. Black ends **EEB100080**
 - d. No. 5. rod. Blue ends **EEB100090**
 - e. No. 6. rod. Yellow ends **EEB100100**
 7. Sun visor. All have black internal side.
 - a. White external and mirror. **SV2017W**
 - b. White external no mirror **SV2016W**
 - c. Grey external and mirror **SV2017P**
 - d. Grey external no mirror **SV2016P**
 - e. Sun visor fitting kit. Car set. **SV2021**
 8. Complete car set Includes all headlining, rails, visors & visor fittings above.
 - a. White kit **HL3035W**
 - b. Grey kit **HL3035P**
 9. Sunvisor for early Minis. Cream crackle finish for 1962-1964 Minis. **SV2000C**

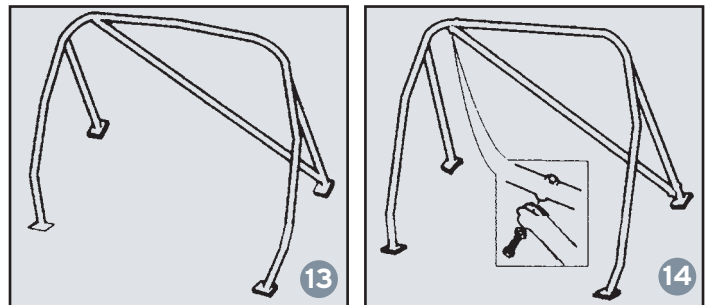


Roll Cages

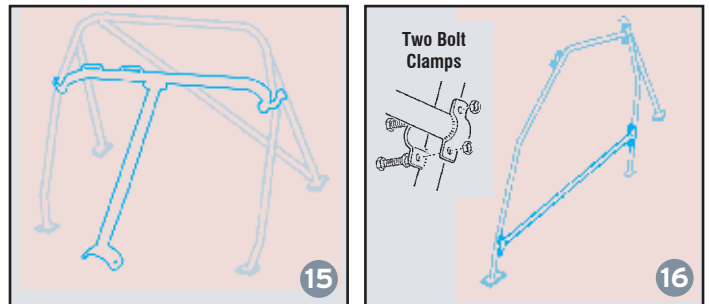
All cages are by the leading manufacturer Safety Devices and are to FIA approved standard, except where stated.



11. a. Front Cage..... **C-STR237SD**
- b. Roll Cage Dash bar, an optional item can be fitted to above, as per Mighty Mini Spec **C-STR53SD**
12. Rear Cage. No Diagonal. NOT FIA approved. **C-STR47SD**



13. Rear Cage Fixed Diagonal.
 - a. R/H drive..... **C-STR48SD**
 - b. L/H drive **C-STR50SD**
14. Rear Cage. Removable Diagonal.
 - a. R/H drive..... **C-STR49SD**
 - b. L/H drive **C-STR51SD**



15. Harness bar has been developed to fit 13 & 14 Roll Cage for the Mighty Mini Race series **C-STR52SD**
16. Door Bar Single with two bolt clamps..... **C-STR238SD** Safety Devices Roll Cages utilise two bolt clamps.

Roof Rack

10. Roof rack by Paddy Hopkirk. Two cross bars clamp to the rain gutters for easy installation. High quality modern design will not work loose or damage paintwork while carrying bulky items. **405U**



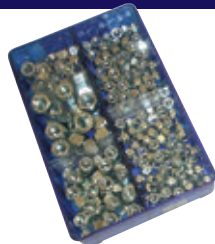
Fixings, Fasteners, Nuts & Bolts

All nuts, bolts and washers are also available separately. See individual item code listed below.



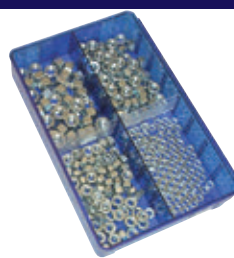
Assorted high tensile setscrews, UNF sizes 3/16" to 3/8". Zinc plated. Order box as **GMS114**

Description	Box Qty	Item Code
3/16" UNF x 1"	30	N/A
1/4" UNF x 3/4"	25	GFK5179
1/4" UNF x 1"	20	GFK5180
1/4" UNF x 1 1/2"	15	GFK5181
5/16" UNF x 3/4"	25	GFK5184
5/16" UNF x 1"	15	GFK5185
5/16" UNF x 1 1/2"	10	GFK5186
3/8" UNF x 1"	10	GFK5191



Assorted "P" type nylon insert locknuts, UNF sizes 1/4" to 1/2". Zinc plated. Order box as **GMS116**

Description	Box Qty	Item Code
1/4"	80	GFK3321
5/16"	60	GFK3322
3/8"	40	GFK3323
7/16"	20	GFK3324
1/2"	20	GFK3325



Assorted plain steel nuts, UNF sizes 3/16" to 3/8". Zinc plated. Order box as **GMS115**

Description	Box Qty	Item Code
3/16" UNF	110	GFK3210
1/4" UNF	80	GFK3211
5/16" UNF	70	GFK3212
3/8" UNF	40	GFK3214



Assorted flat washers, sizes 3/16" to 1/2". Zinc plated. Order box as **GMS126**

Description	Box Qty	Item Code
3/16"	200	GFK1112
1/4"	200	GFK1113
5/16"	200	GFK1114
3/8"	100	GFK1115
7/16"	50	GFK1116
1/2"	50	GFK1117

