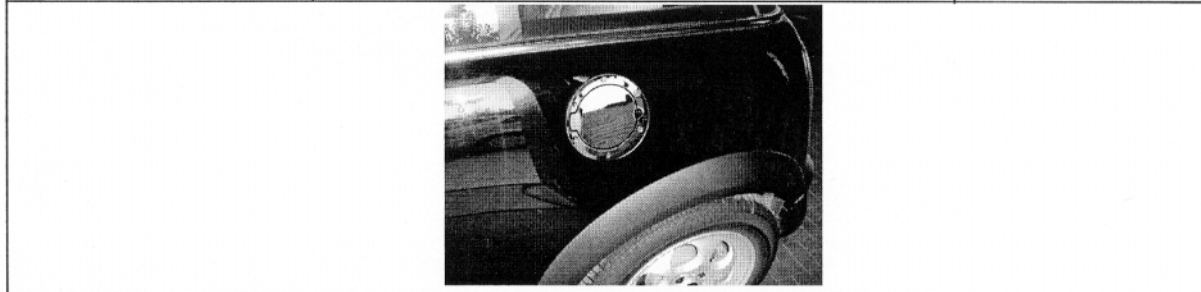
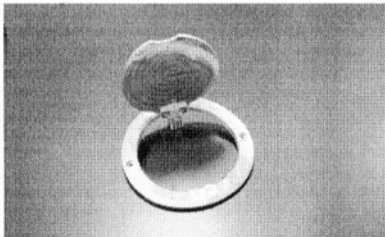
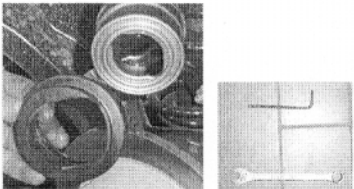
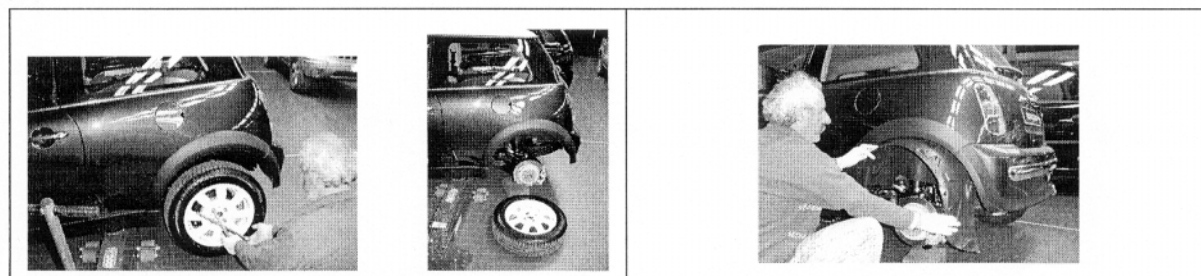


BMW	NMX1055 FITTING INSTRUCTIONS	New Mini
	Solid aluminium fuel lid door	

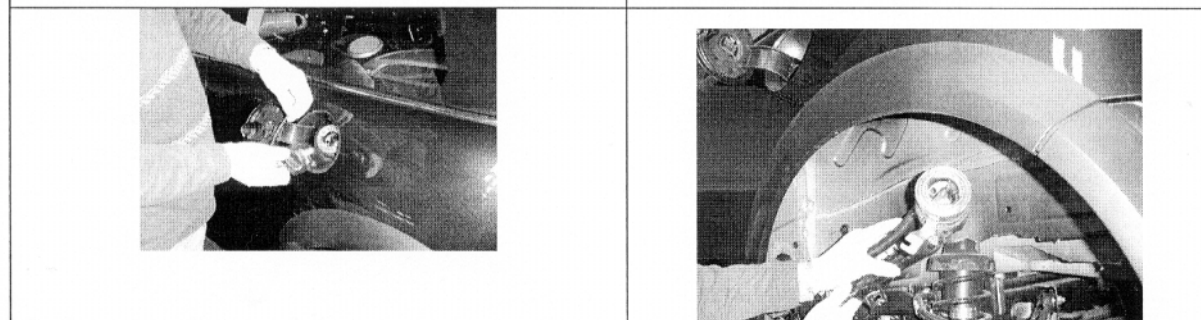


		<p>Content:</p> <ol style="list-style-type: none"> 1) No. 1 solid Aluminium fuel lid door 2) Fitting instructions 3) Sealing ring <p>Use: one 3.5 mm allen key and one 8 mm spanner</p>
--	--	---



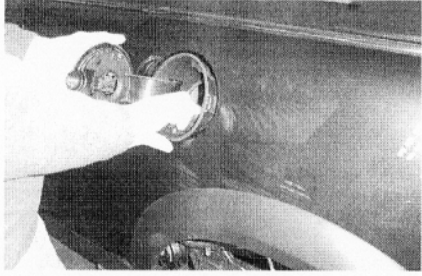
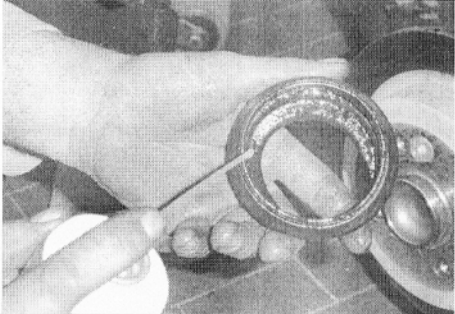
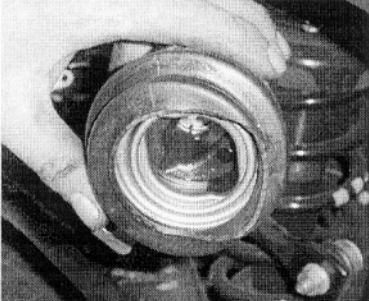
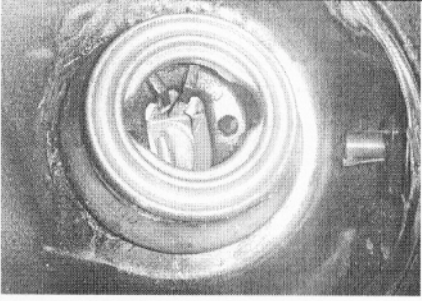
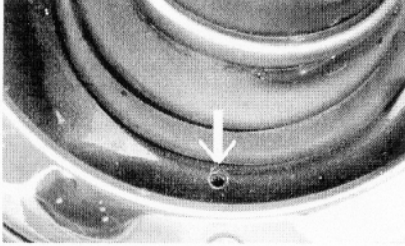
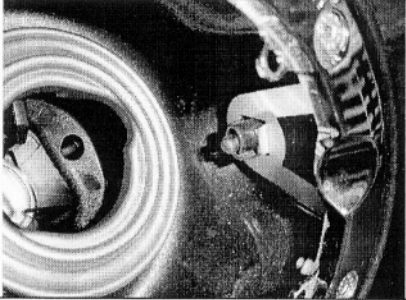
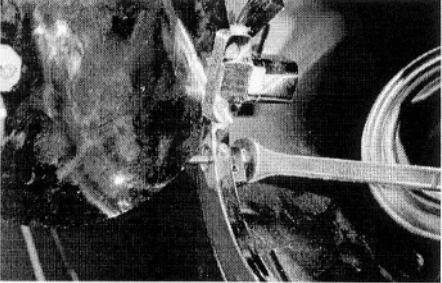
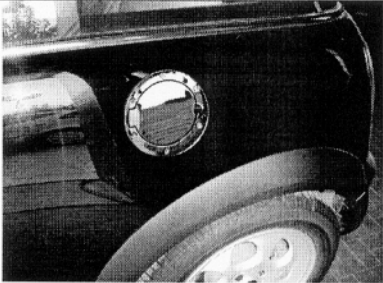
1 - At first take the back left wheel away.

2 - Then take the wheel cover away too.



3 - Now take the fuel lid away.

4 - From underneath, take the fuel pipe away.

	
<p>5 – After opening the fuel lid door, eliminate the whole upper rubber part of the fuel pipe and subsequently the door.</p>	<p>6 - Wet the sealing ring by a spray or some vaseline grease.</p>
	
<p>7 - Insert the sealing ring on the top of the fuel pipe.</p>	<p>8 - Place the sealing ring on the top of the fuel pipe, before fitting it onto the car body by tightening the inferior screw.</p>
	
<p>9 -Before placing the fuel pipe in its place, make a 4 or 5 mm diameter hole on the car body, to let water (rain, etc.) flow down.</p>	<p>10 - Now place the chromed fuel lid door. At first, on the right side fit the bracket of the lid door frame.</p>
	
<p>11 - Then, on the left side, put the black plastics supports on the car body: outside move the two bolts of the supports by the 3.5 mm allen key and inside by the 8 mm spanner.</p>	<p>12 - Fitting is completed.</p>