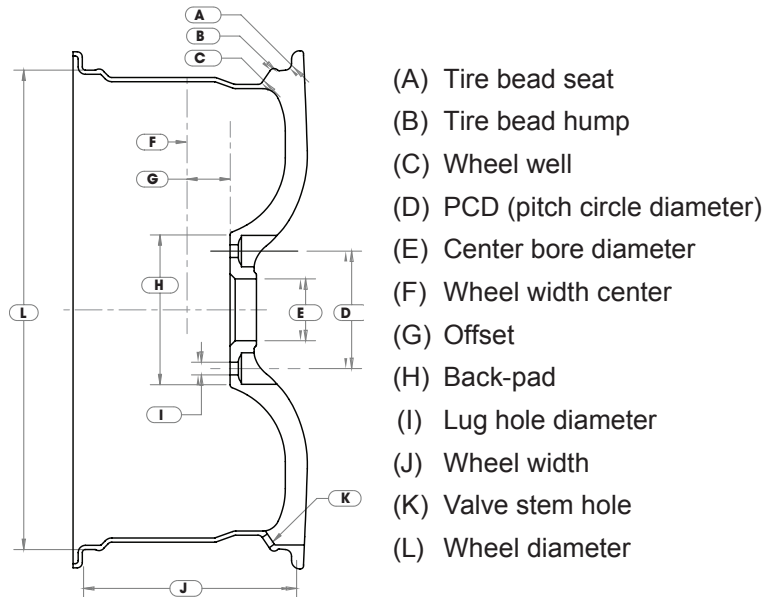


USER'S GUIDE

Thank you for purchasing our product. Before installing wheel, please go over this instruction manual thoroughly to ensure proper safety and performance of the wheel.



SHOP INSTALLER

Please pass this instruction manual to customer after reading.

•••

Tire mounted wheel is not exchangeable or returnable in any condition.

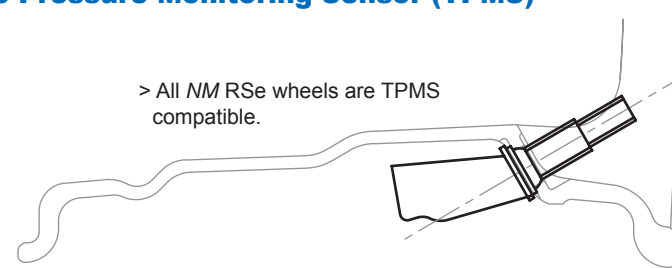
Pre Installation

Match specifications on wheel with packaging label, and physically check-fit wheel on vehicle before mounting tire.

Items to check:

- Center/hub bore diameter
- Brake clearance - Caliper and rotor
- PCD or bolt pattern
- Offset or E.T.

Tire Pressure Monitoring Sensor (TPMS)

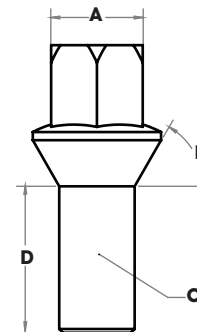


All passenger vehicles with post, and some prior to, September 2007 production date are equipped with Tire Pressure Monitoring Sensor or TPMS system. It consists of a sensor for each wheel and a receiver located somewhere in your dashboard. In order for the system to perform correctly, you need to transfer all four sensors from factory wheels to MM RSe wheels. Depending on year and model, some TPMS systems may require software reset that can only be done by dealership. Make sure to notify the installer if your car is equipped with TPMS. Refer to your car-operating manual or your local service advisor for additional information.

Wheel Installation

Note that RSe wheels utilize OEM lug bolts with 60 degree conical or taper seat. If aftermarket lug bolts are planned to be used, make sure they have the following specification:

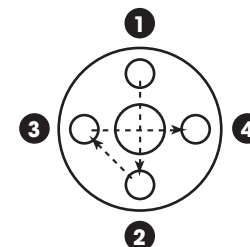
- (A) Socket Size: 17mm
- (B) Seat: Conical - 60°
- (C) Stud: 14mm x 1.25
- (D) Stud Length: 27-32mm



When tightening lug bolts, avoid using impact wrench or air gun. Fast speed and high torque spin produced by impact wrench can cause cross thread and damage hub carrier.

Tightening Spec:

- Lug torque : 125 N-m (90 Lbs-ft)
- Socket size : 17mm
- Sequence : See illustration



Check lug bolt torque frequently. Failure to use proper lug bolts with sufficient torque load will result wheel coming loose and detached while driving causing accident.

Post Installation

Wheel lug bolts will settle and loosen up after initial installation. Retighten after the first 50-60 miles to specification.

If your car is equipped with tire pressure monitoring sensors, check them by deflating tires to below the default threshold to test if they are working as they should. If your car is not equipped with TPMS, check your tire pressures periodically to make sure there isn't any leakage.

Maintenance and Storage

- Periodically check lug bolt torque load; ideally Every 1000 miles or if you feel that you just ran over a sizable bump on the road.
- Aluminum alloy wheels are susceptible to oxidation when they are exposed to salt or mud. Wash with water after driving on beach, snowy or unpaved road.
- During hard driving, heat generated by the brake rotor and caliper transfers to wheel. Avoid exposing hot wheel with water since it may cause coating/finish damage or cracks. Wait until everything cools down before proceeding.
- Do not use abrasive chemical with strong acid or alkaline for cleaning agent. Please use diluted soap water or specific wheel cleaner (not for chrome finish) with soft cloth to wash and clean wheel. Do not use metal brush, brill pads, scotch brite, or other similar coarse products. Soft tooth or bristol brushes are ideal to clean off dirt from tight corners. Rinse with clean and ambient temperature water.
- Rinse dirt/dust using ambient temperature water from garden hose. The use of pressure washer is not recommended especially the gas powered commercial model.
- When storing for prolonged period of time, keep wheel/tire away from direct sunlight, rain, oil, humidity, and heat. Reducing tire pressure to half (1/2) during storage is also recommended.
- When reinstalling on vehicle, re-check tire pressure and balance. Also inspect lug bolts for: correct lug seat, thread condition, hex-head corners, and overall surface. Make sure there is not any damage. Damaged lug bolt can cause further damage towards hub and improper fitting, which may cause wheel coming loose while driving. Torque to correct spec.

Warranty

Wheel warranty applies only to original purchaser and not is transferable.

Each *NM* RSe wheel carries limited warranty coverage against defects in manufacturing material and workmanship under normal and reasonable usage.

The options of replacement or repair warranty claims are up to our discretion.

Coverage period:

Structural defects: 2 years

Finish defects: 1 year

Making Claim

All warranty claims must be sent directly to *NM* together with original receipt or invoice from place of purchase. All claims are subject to eligibility inspection and verification. Allow 10 working days for review. Shipping fee and arrangement to *NM* are claimer's responsibility. *NM* will pay return shipping via standard ground shipping or other method of its choice.

Exclusions:

- Defects resulting from installation on vehicle above the rated weight.
- Curb rash and bent rim caused by impact.
- Any alteration to wheel; such as re-drilling, back-pad shaving, and repaint.
- Improper installation, such as usage of wrong lug bolts, center/hub ring, adapter, insufficient lug torque, including improper tire mounting and balancing.
- Improper maintenance or lack of it.
- Defects resulting from extreme use such as competitive events or off-road/unpaved condition.
- Claim on previously repaired wheel done by unauthorized individual or facility .
- Any additional cost resulting from warranty claim; such as car rental, telephone bill, hotel, replacement tire, compensation for loss sales, installation fee, and others. If approved, *NM* is responsible for solely warranted item.

For more information about *NM* wheels, please contact us using information on next page.

CONTACT

Automotive Performance Systems, Inc.
3300 Corte Malpaso
Camarillo, CA 93012
805.388.7171 tel.
805.388.0030 fax.
engineer@nm-eng.com



nm rse LIGHT ALLOY WHEELS

USER'S GUIDE