

Original BMW Accessories. Installation Instructions.



Roof decor retrofit for glass roof MINI R50, R55, R56, R60

Retrofit kit No.:	51 14 0 404 202	Start/Finish flag for glass roof (R50, R53)
	51 14 0 412 138	Black Jack for glass roof (R50, R53)
	51 14 0 418 664	Start/Finish flag for glass roof (R55, R56, R60)
	51 14 0 418 665	Black Jack for glass roof (R55, R56, R60)
	51 14 2 207 805	Union Jack for glass roof (R55, R56, R60)
	51 14 2 318 636	Smartphone (R55, R56 for all roof variants) (R60 only for glass roof)

Installation time

The installation time is **approx. 1.0** hours, but this may vary depending on the condition of the car and the equipment in it.

Important information

These installation instructions are primarily designed for use within the MINI dealership organisation and by authorised BMW service companies.

In any event the target group for these installation instructions is specialist personnel trained on MINI cars with the appropriate specialist knowledge.

All work must be completed using the latest MINI repair manuals, wiring diagrams, servicing manuals and work instructions, in a rational order, using the prescribed tools (special tools) and observing current health and safety regulations.

Should problems occur with installation or functioning, you can avoid unnecessary work and cost (after having conducted a brief troubleshooting exercise lasting around half an hour) by contacting the following points:


1. Either your national sales company or regional office or
2. Support via the Aftersales Assistance Portal (ASAP), using the optional application "Technical Parts Support".

Specify the chassis number and part number of the retrofit kit installed and a precise description of the problem.

Do not archive the hard copy of these installation instructions since daily updates are provided via ASAP!

All pictures show LHD cars; proceed accordingly on RHD cars.

Pictograms

 Denotes instructions that draw your attention to special features.

◀ Denotes the end of the instruction or other text.

Installation information

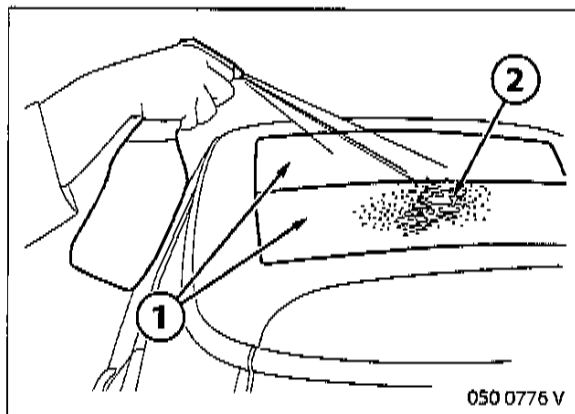
Installation should be carried out by 2 people.

Clean the entire roof. The glass surface must be completely dry, clean and free from wax or grease.

To achieve maximum bonding strength, the temperature of the car must be around 20°C. During the bonding and hardening process, the car must not be exposed to direct sunlight for 12 hours and must be parked in a completely wind-free location at a temperature of at least 20°C.

Once the film has been laid in place, the car should not be moved for 12 hours and not washed for 48 hours.

When applying the installation solution, avoid using too much pressure on the glass roof surface in order to avoid causing damage.

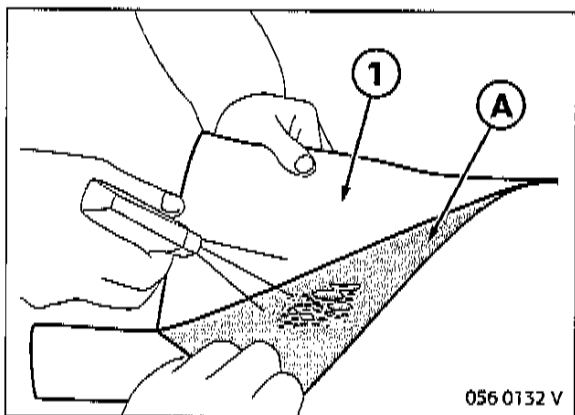


Clean the glass roof with a cleaning cloth and suitable cleaning agents. The glass roof must be completely dry, clean and free from wax or grease.

The remaining part of the roof should also be cleaned.

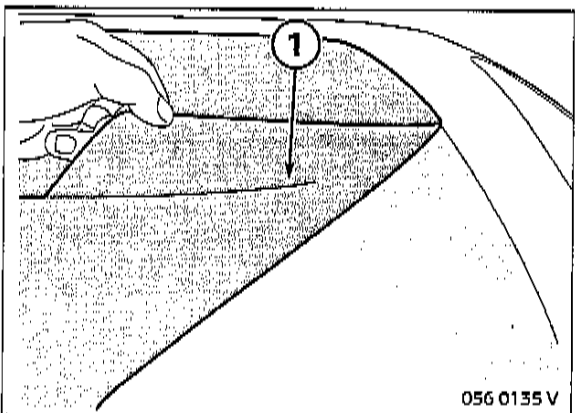
The glass roof (1) must be sprayed thoroughly and generously with installation solution (2).

⚠ Immediately after spraying the solution on, the film sections must be glued into place since otherwise the glue will dry out. ◀



The film sections for gluing are supplied on transfer paper A. The adhesive side of the sections is covered with a printed protective film (1).

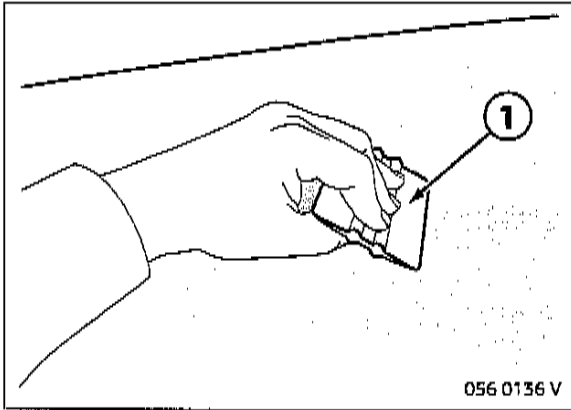
Carefully remove the protective film (1) from the transfer paper bearing film sections A. As you do so, thoroughly wet the adhesive side with installation solution.




⚠ Before removal, the transfer paper (1) must be sprayed with installation solution. Wait around 1 minute.

Ensure that the film sections remain bonded to the glass roof and are not moved. ◀

Remove the two transfer papers (1) at as flat an angle as possible from the film sections. While removing the papers, if necessary, hold the film segments in place with the blade.



 Repeatedly spray the sections with installation solution. This makes spreading easier and avoids damage to the film or the glass roof.

Avoid applying too much pressure to the glass roof surface or you may damage it. ◀

Squeeze out any installation solution still underneath the film sections. To do this, push any bubbles visible on the surface outwards from the centre. As you do this, hold the blade (1) at a flat angle to the roof surface.

Special tools required

Blade (part No. 51 91 0 416 502)

Installation solution (part No. 51 91 0 416 506)

Spray bottle

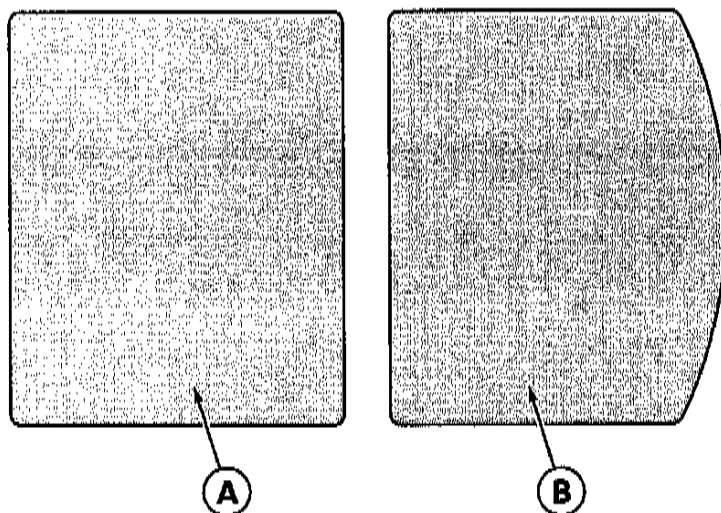
Cleaning cloth

Ladder

Table of contents

Section	Page
1. Glass roof films parts list	5
2. Smartphone design parts list	6
3. Fitting the glass roof films	7
4. Fitting the smartphone decorative film	8

1. Glass roof films parts list

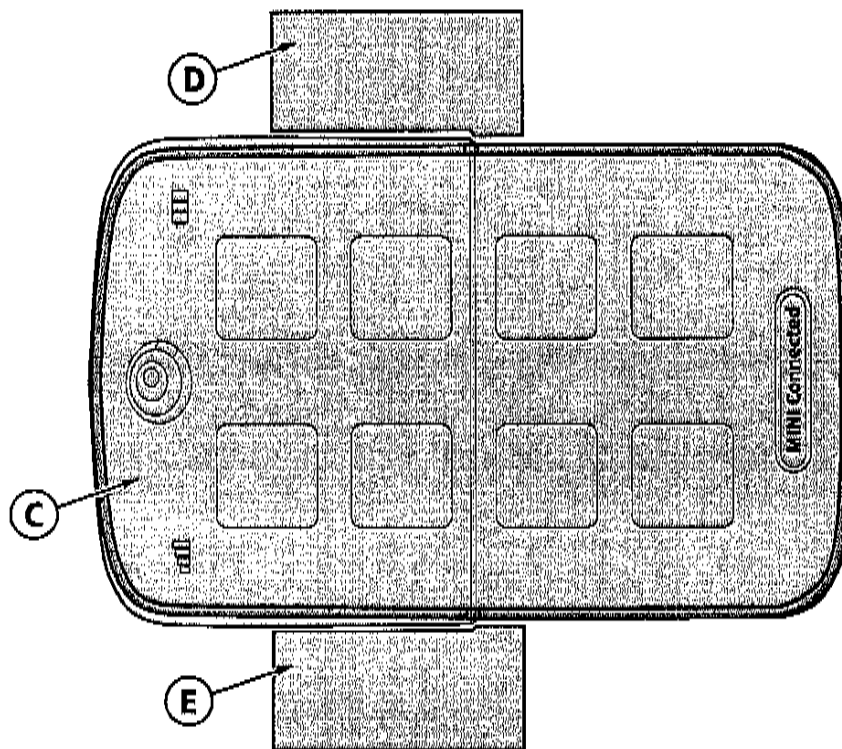


056 0131 V

Legend

- A Transfer papers with rear film sections
- B Transfer papers with front film sections

2. Smartphone design parts list

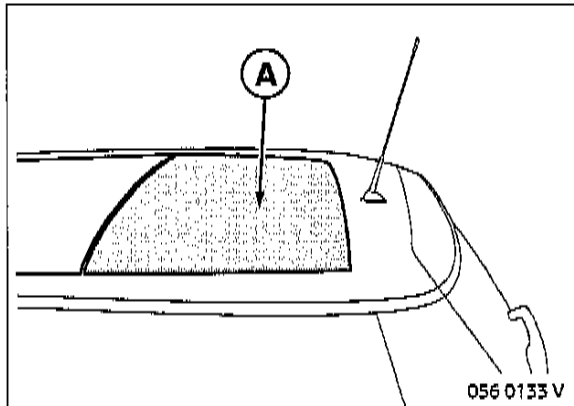


R56 0612 V

Legend

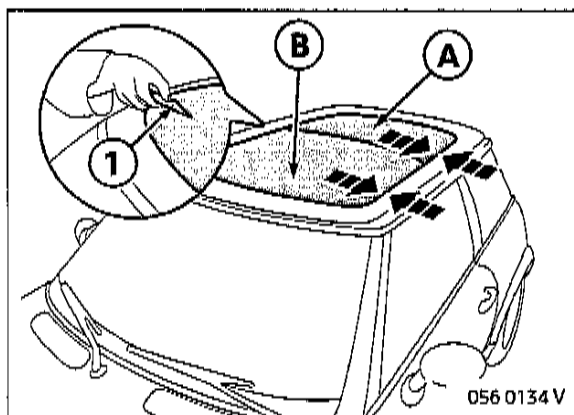
- C Transfer paper with film sections
- D Right template
- E Left template

3. Fitting the glass roof films



Place the transfer paper bearing film segments **A** on the underside on the rear area of the glass roof. Align the transfer paper with the glass roof frame as you do so.

Then pull off the protective film from the transfer paper with front film sections **B**, wet with the installation solution and place on the surface.



▶ In order to avoid damaging the surface of the roof, do not run the blade beyond the glass roof area. ◀

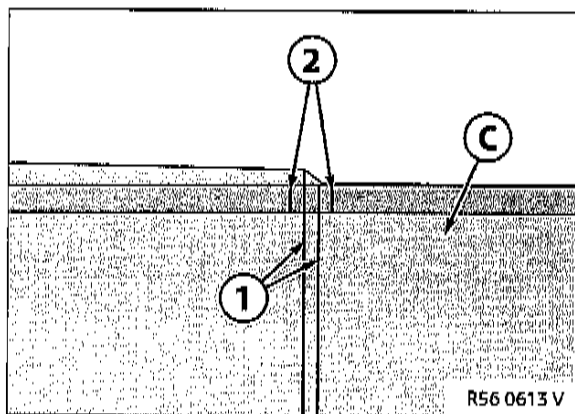
Align the two transfer papers with film sections **A** and **B** centrally on the glass roof, equalising the distance on the right and left from the glass roof frame as you do so.

Once the transfer papers with film sections **A** and **B** are aligned, run the blade (1) over the transfer papers with film sections **A** and **B** and thereby push the installation solution under all of the film sections. Always push the installation solution from the centre of the film section outwards.

▶ The transfer papers with film sections **A** and **B** must not be dried with a hairdryer. ◀

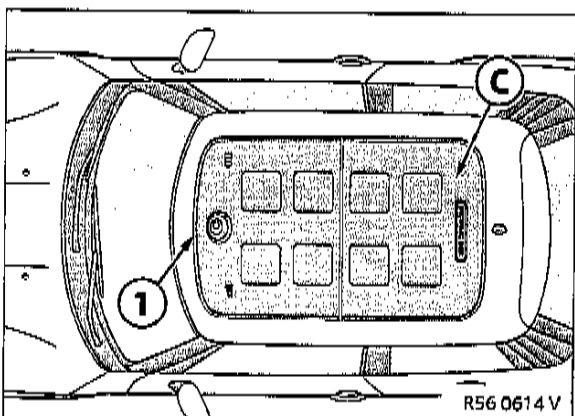
Wait **around 10-20 minutes** so that the glue can bond.

4. Fitting the smartphone decorative film



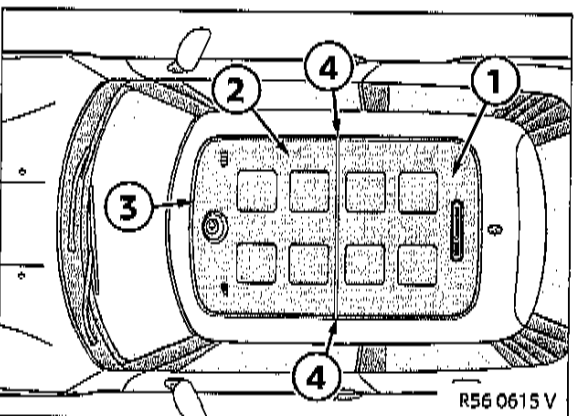
For the glass roof only:

Cut the transfer paper with film section **C** at the printed lines (1). Cut into the printed short lines (2) using suitable tools.



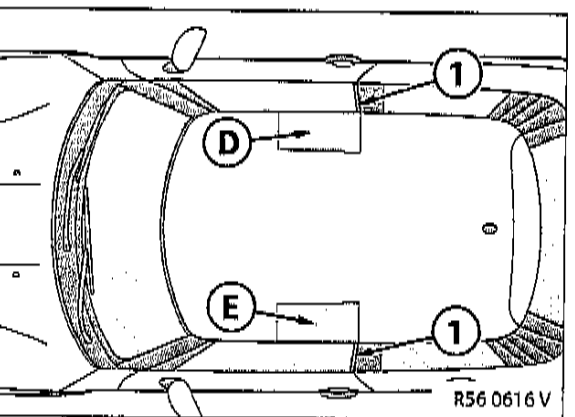
Lay the two film sections **C** along the contour (1) of the glass roof, align them and run the blade over them.

Spray the application tape with installation solution and carefully remove it after **around 5 mins**.



⚠ If necessary, when removing the black background film (1) and (2), wait **around 30-60 minutes** if the silver edging (3) starts to come away. The silver edging (3) must lie flush at the crossover points (4) with the sealing rubber of the glass roof. ◀

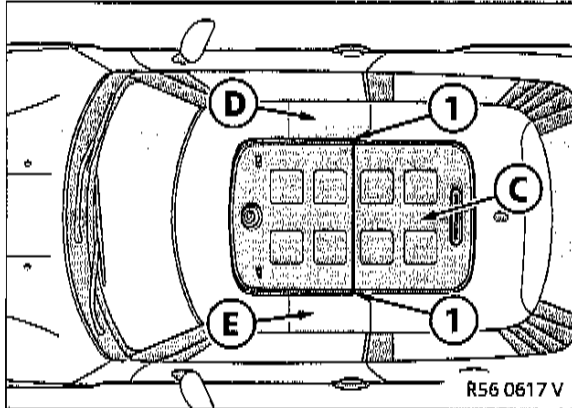
Carefully remove the black background film (1) and (2).



For panel roof only (not for R60):

⚠ Place templates **D** and **E** flush on the roof edge, align with the door edge (1) of the B pillar and press into place.

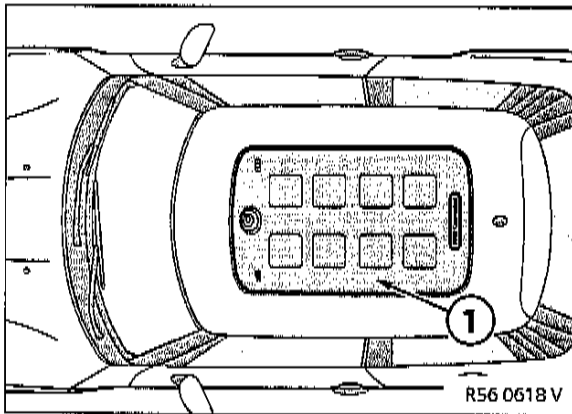
4. Fitting the smartphone decorative film



Place the transfer paper with film section **C** between the two templates **D** and **E** and align it with the corner contour (1) of templates **D** and **E**, press down firmly and run the blade over it.

Carefully remove templates **D** and **E**.

Spray the application tape with installation solution and carefully remove it after **around 5 mins**.



For black panel roof only (not for R60):

Carefully remove the black background film (1).