

Original MINI Accessory.

Downloaded from MotoringFile



Brake air package retrofit

MINI COOPER S (R55, R56, R57)

MINI COOPER D (R55, R56, R57)

Installation instructions only valid for cars with the SZ Aerodynamics package.

Retrofit kit No.: 51 19 2 153 998 Brake air package retrofit kit

Installation time

The installation time is **approx. 1.0 hours**. If the SZ Aerodynamics package is installed at the same time, the installation time is reduced to **approx. 0.5 hours**. This may vary depending on the condition of the car and the equipment in it.

Important information

These installation instructions are primarily designed for use within the MINI dealership organisation and by authorised MINI service companies.

In any event the target group for these installation instructions is specialist personnel trained on MINI cars with the appropriate specialist knowledge.

All work must be completed using the latest MINI repair manuals, circuit diagrams, servicing manuals and work instructions, in a rational order, using the prescribed tools (special tools) and observing current health and safety regulations.

If you experience installation or function problems, limit troubleshooting to approx. 0.5 hours for mechanical or 1.0 hour for electrical work.

In order to reduce costs and avoid any additional expense, send a query immediately to the Technical Parts Support via the Aftersales Assistance Portal (ASAP).

Specify the following information:

- Chassis number,
- Part number of the retrofit kit,
- A precise description of the problem,
- Work steps already carried out.

Pictograms



Denotes instructions that draw your attention to special features.

- ◀ Denotes the end of the instruction or other text.

Do not archive the hard copy of these installation instructions since daily updates are provided via ASAP!

Installation information

All pictures show LHD cars; proceed accordingly on RHD cars.

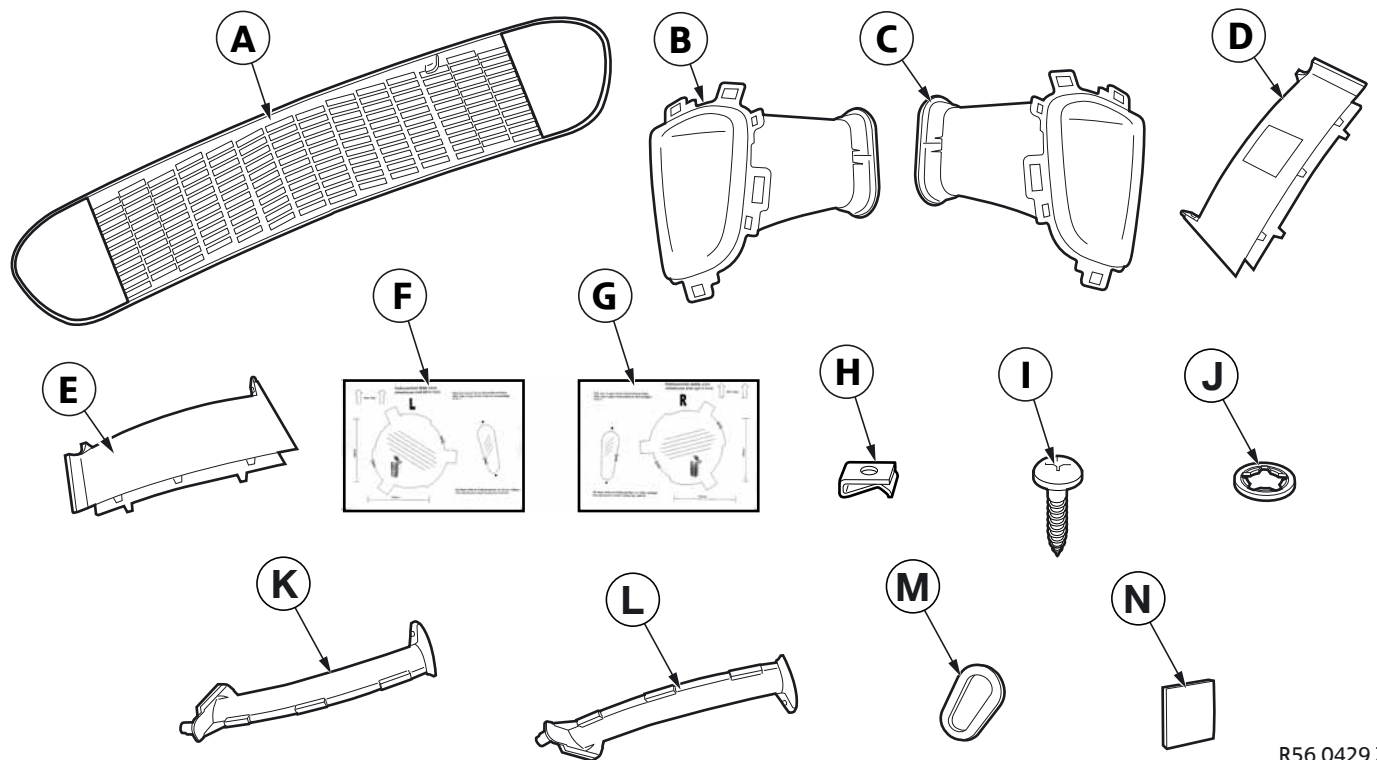
Special tools required

None

Table of contents

Section	Page
1. Parts list	3
2. Preparatory work	4
3. Installing the brake air channels	5

1. Parts list



R56 0429 Z

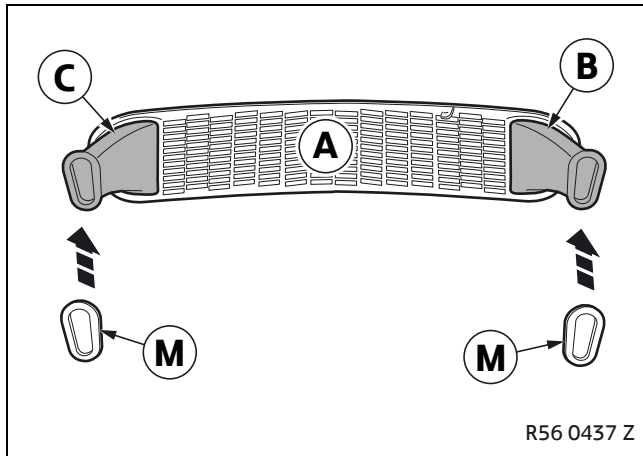
Legend

- A Air inlet grille
- B Right-hand brake air channel grille
- C Left-hand brake air channel grille
- D Right-hand wheel arch brake air channel, lower section
- E Left-hand wheel arch brake air channel, lower section
- F Left template
- G Right template
- H Self-locking nut (4x)
- I Philips screw 4.2 x 16 mm (4x)
- J Securing ring (2x)
- K Right-hand wheel arch brake air channel, upper section
- L Left-hand wheel arch brake air channel, upper section
- M Seal (4x)
- N Chafing guard

2. Preparatory work

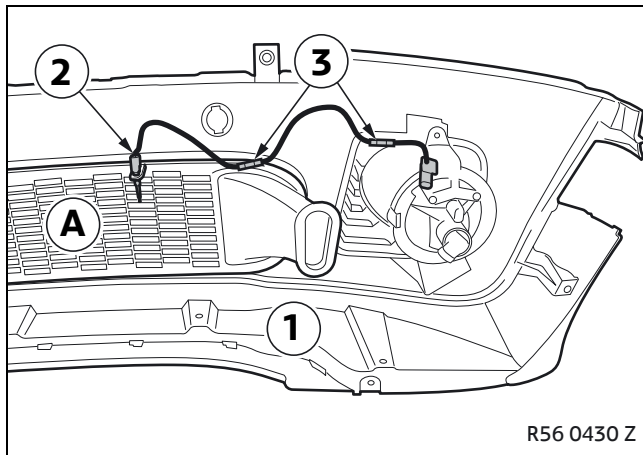
	ISTA No.
First, the following components must be removed.	
Front bumper trim	---
Remove the bottom air inlet grille from the bumper trim	---
Loosen the wheel arch insert at the front on the left and right in the front area and remove the lower service cover	---

3. Installing the brake air channels



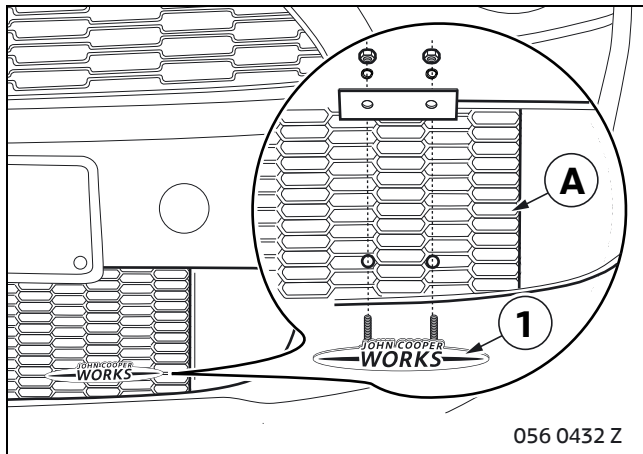
Insert and engage the right-hand air brake channel grille **B** and left-hand air brake channel **C** in the air inlet grille **A**.

Stick seals **M** onto brake air channels **B** and **C**.




Insert air inlet grille **A** into the front bumper trim (1).

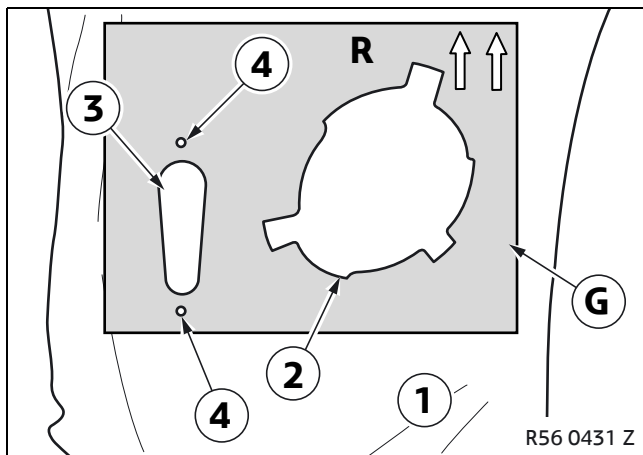
Clip temperature sensor (2) into the holder on the air inlet grille **A** and place cable holders on tabs (3).



Only cars with the John Cooper Works logo

 If necessary, remove the logo (1) from the existing air inlet grille. ◀

Insert the logo (1) as shown in the air inlet grille **A** and secure in place.



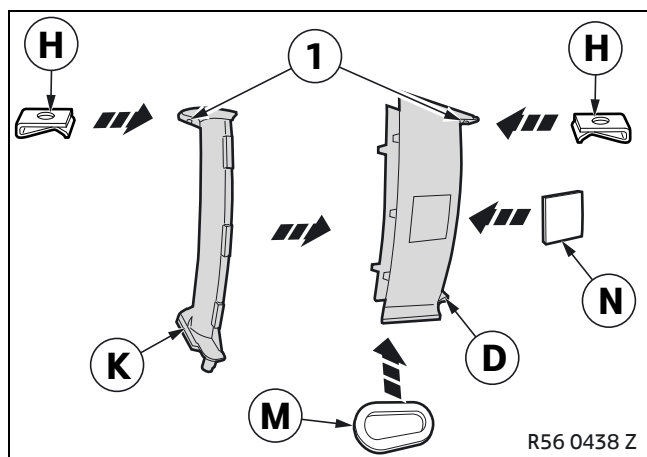
All cars

Hold the right-hand template **G** matching the wheel arch against the edge (2) of the service cover cut-out on the wheel arch insert (1) and secure in place with adhesive tape.

Draw and cut out the cut-out section (3) and drill holes (4).

Proceed in the same way on the left-hand side.

3. Installing the brake air channels



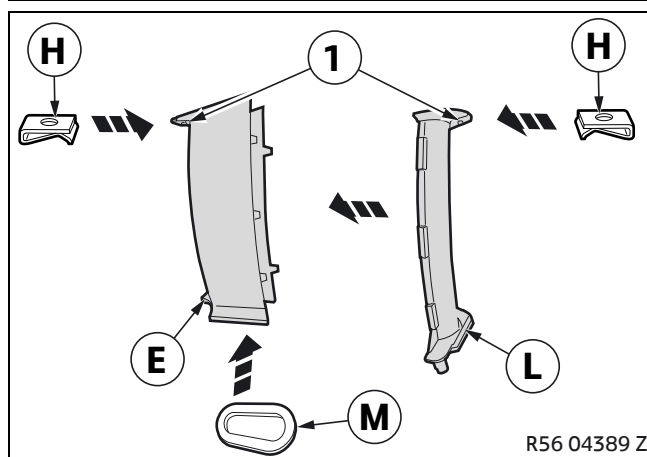
▶ The bonding surfaces must be clean and free of grease. ◀

Put together the right-hand wheel arch brake air channel, lower section **D** and upper section **K** (audible engaging of the locking lugs).

Place the self-locking nuts **H** on the drill holes (1).

Stick seal **M** on the opposite side of the drill holes (1).

Stick the chafing guard **N** on the marked area on the right-hand wheel arch brake air channel, lower section **D**.

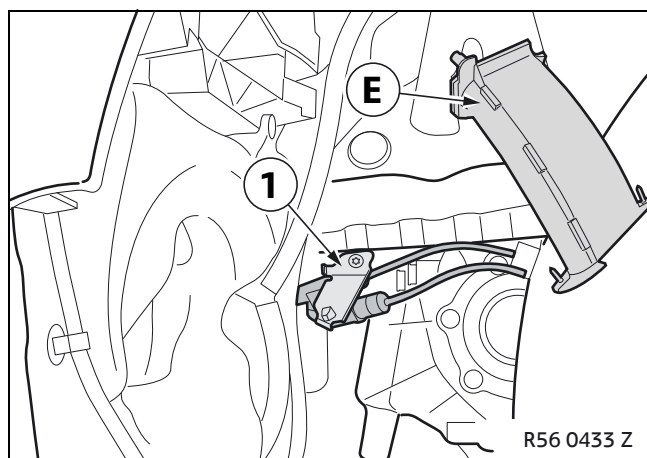


▶ The bonding surfaces must be clean and free of grease. ◀

Put together the left-hand wheel arch brake air channel, lower section **E** and upper section **L** (audible engaging of the locking lugs).

Place the self-locking nuts **H** on the drill holes (1).

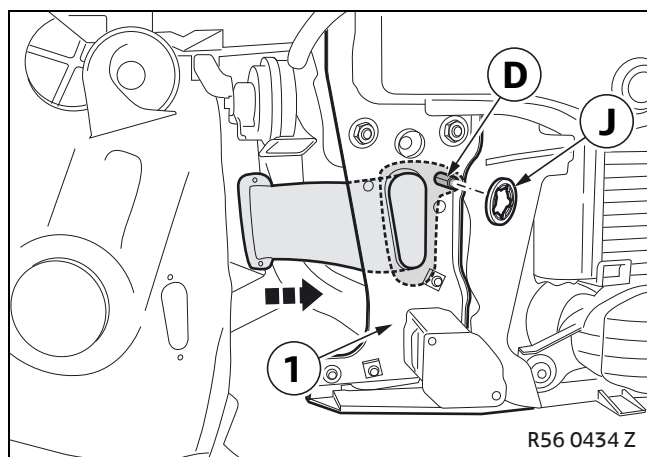
Stick seal **M** on the opposite side of the drill holes (1).



▶ Do not touch the left-hand wheel arch brake air channel **E** after installing the holder (1). ◀

On the left-hand longitudinal support, bend the holder (1) approx. 30° inwards.

Insert the left-hand wheel arch brake air channel **E** and check to ensure it is not chafing. Bend the holder (1) further if required.

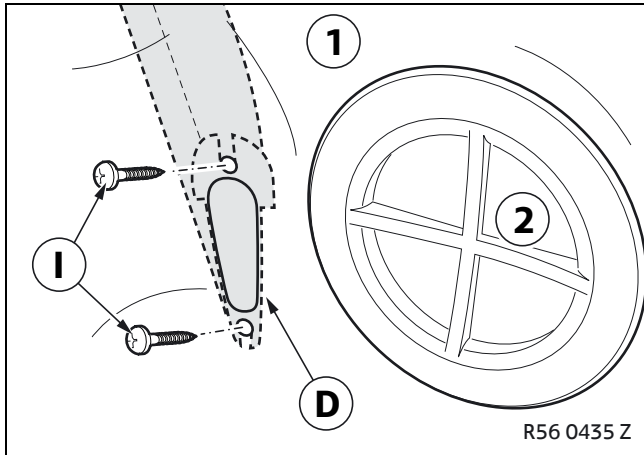


Place the right-hand wheel arch brake air channel **D** on the front support (1) and place the securing ring **J**.

Proceed in the same way on the left-hand side.

Install the pre-assembled front bumper trim.

3. Installing the brake air channels



Install the wheel arch insert (1).

Screw the right-hand wheel arch brake air channel **D** using Philips screws **I** to the wheel arch insert (1).

Fit the service cover (2).

Proceed in the same way on the left-hand side.